



**FITZGERALD  
FORMLINERS**

Forming The Future™

# PATTERN 16947-SC 8" Used Brick

3" x 8" Soldier Course

**Vac-U-Form™**

Styrene - Single Use.  
ABS Plastic - Up to 15 reuses.

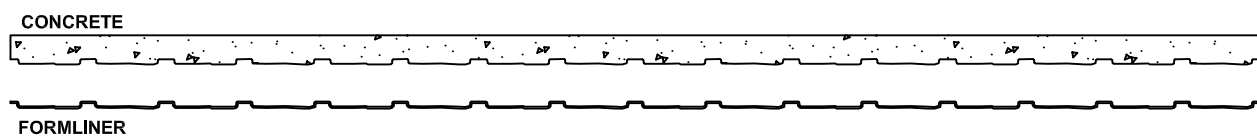
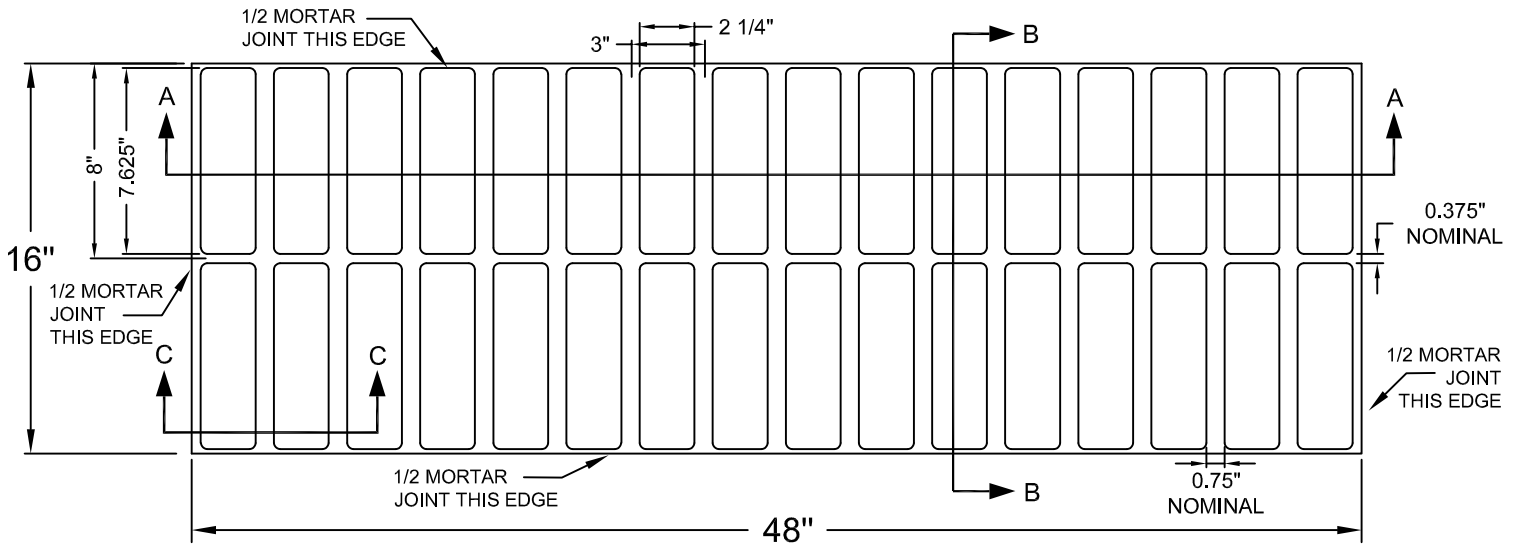
### Masonry

**Part Size:** 48"W x 16"H

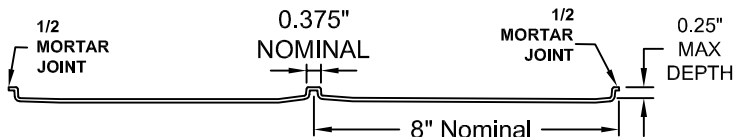
**Max Depth:** 0.25"

**Brick Size:** 7.625"W x 2.25"H

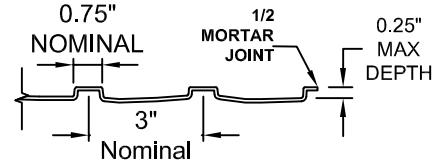
**Mortar Joints:** 0.75" - Horizontal  
0.375" - Vertical



**SECTION A-A**



**SECTION B-B**



**SECTION C-C**

**FORMLINER DETAIL**



**16947-SC**

This document contains confidential and proprietary information of Fitzgerald Formliners, Inc. and is protected by copyright, trade secret, and other state and federal laws. Its receipt or possession does not cover any rights to reproduce, disclose its contents, or to manufacture, use, or sell anything it may describe. Reproduction, disclosure, or use without specific written authorization of Fitzgerald Formliners, Inc. is strictly forbidden.

**FITZGERALD FORMLINERS**

1500 East Chestnut Avenue • Santa Ana, CA 92701 • Fax (714) 245-9715  
Ph: (800) 547-7760 • Ph (714) 547-6710 • www.formliners.com

Pattern can be requested in AutoCad format.