



Forming The Future™

PATTERN 14494B San Diego Fluted Rib

0.75 - 1.5" Deep Random Reveals

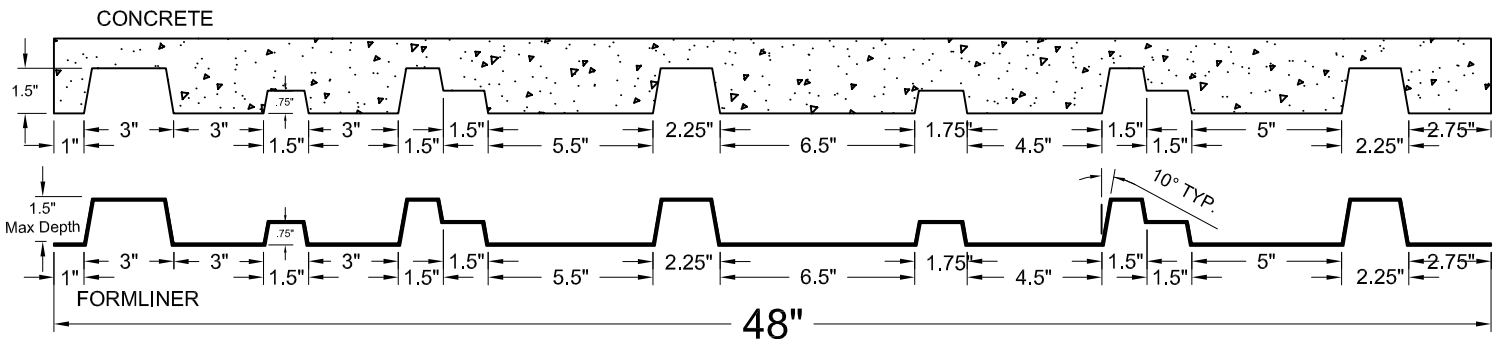
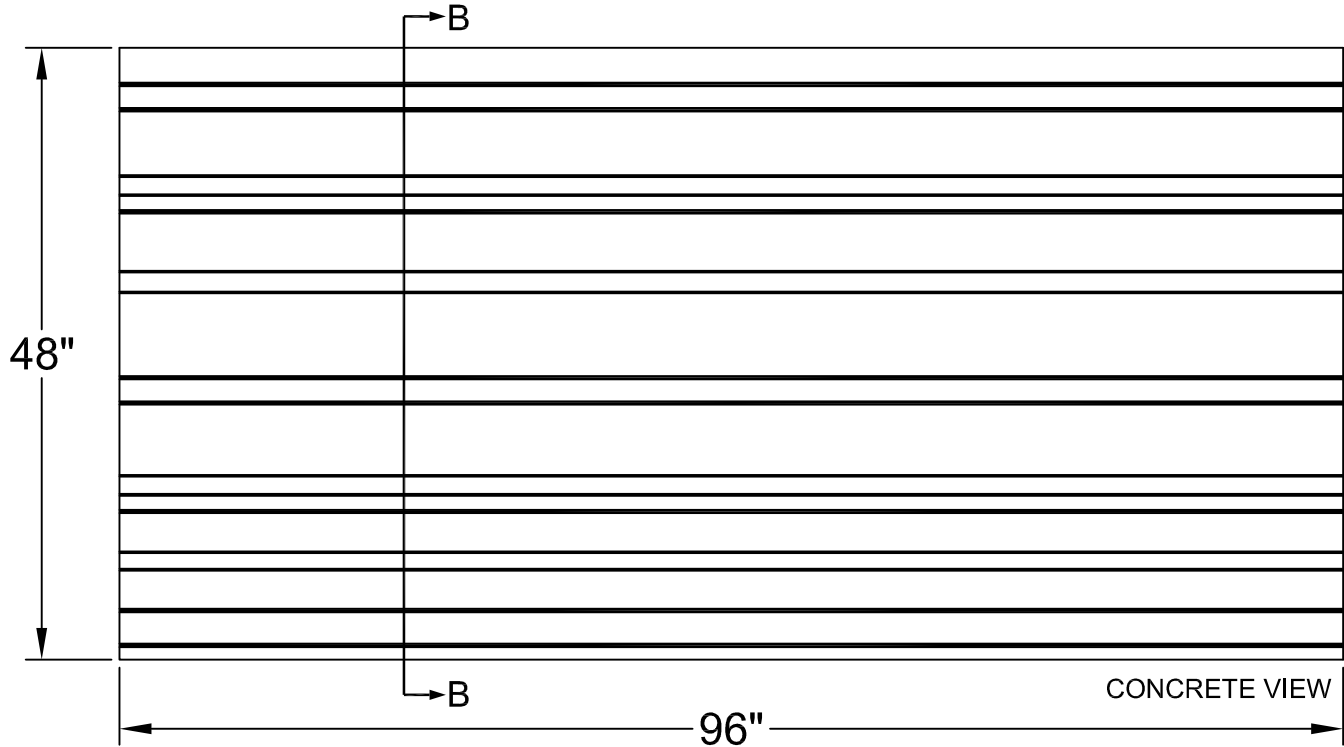
Vac-U-Form™

Styrene - Single Use.
ABS Plastic - Up to 15 reuses.

Fluted Rib

Part Size: 48"W x 96"H
Max Depth: 1.5"
On Center: Random
Peak: 1.0" - 2.25"
Valley: Varies
Draft: 10 degrees

Additional Backing May Be Required



**SECTION B-B
FORMLINER DETAIL**



This document contains confidential and proprietary information of Fitzgerald Formliners, Inc. and is protected by copyright, trade secret, and other state and federal laws. Its receipt or possession does not cover any rights to reproduce, disclose its contents, or to manufacture, use, or sell anything it may describe. Reproduction, disclosure, or use without specific written authorization of Fitzgerald Formliners, Inc. is strictly forbidden.