



Forming The Future™

# PATTERN 15057

## Aloha Wave

### Barrier Rail - Raised Ribbon

**GrayLastic™**

Elastomeric Urethane - up to 100 uses.  
Mold bonded to 0.75" plywood. Add 1.125" to liner thickness.

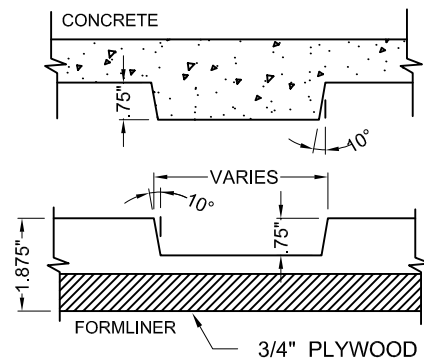
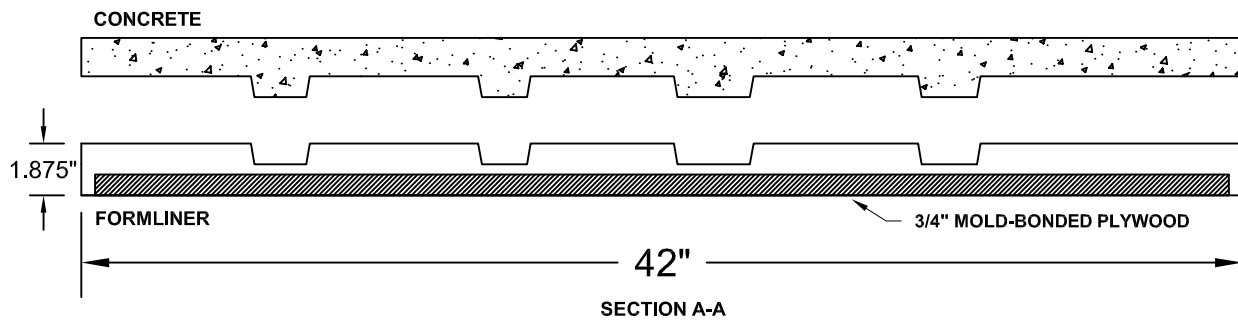
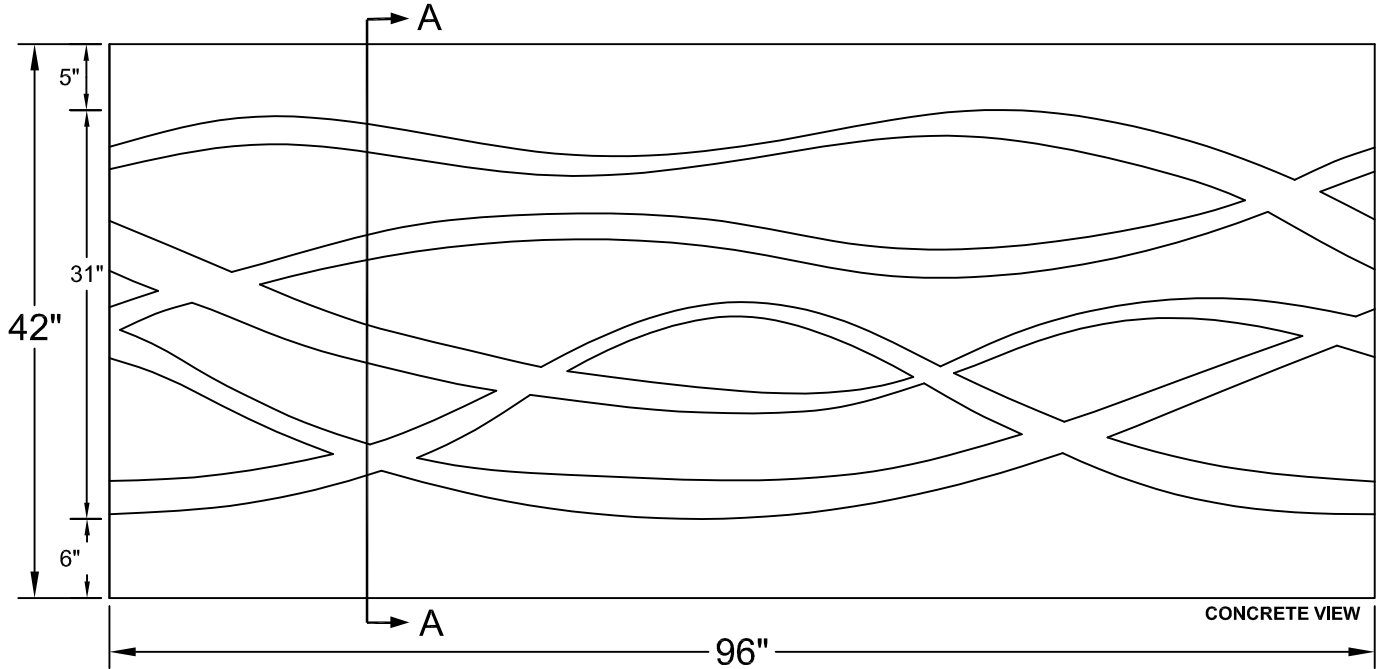
**Geometric**

**Part Size:** 96"W x 42"H

**Max Depth:** 0.75"

**Draft:** 10°

**Pattern Match Panels**



**FORMLINER DETAIL**

This document contains confidential and proprietary information of Fitzgerald Formliners, Inc. and is protected by copyright, trade secret, and other state and federal laws. Its receipt or possession does not cover any rights to reproduce, disclose its contents, or to manufacture, use, or sell anything it may describe. Reproduction, disclosure, or use without specific written authorization of Fitzgerald Formliners, Inc. is strictly forbidden.

**FITZGERALD FORMLINERS**

1500 East Chestnut Avenue • Santa Ana, CA 92701

Ph: (800) 547-7760 • Fax (714) 245-9715 • WWW.FORMLINERS.COM

Pattern can be requested in AutoCad format.

File Name: S-15057-GR-11-09-20

Page 1 of 1