



**FITZGERALD
FORMLINERS**

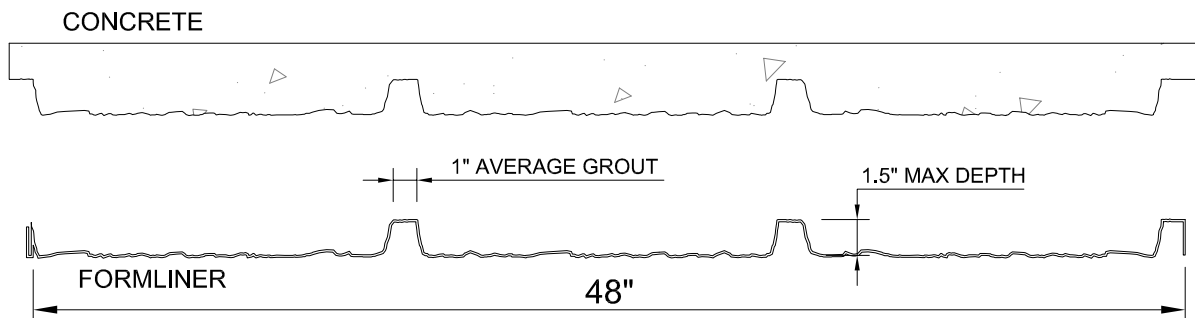
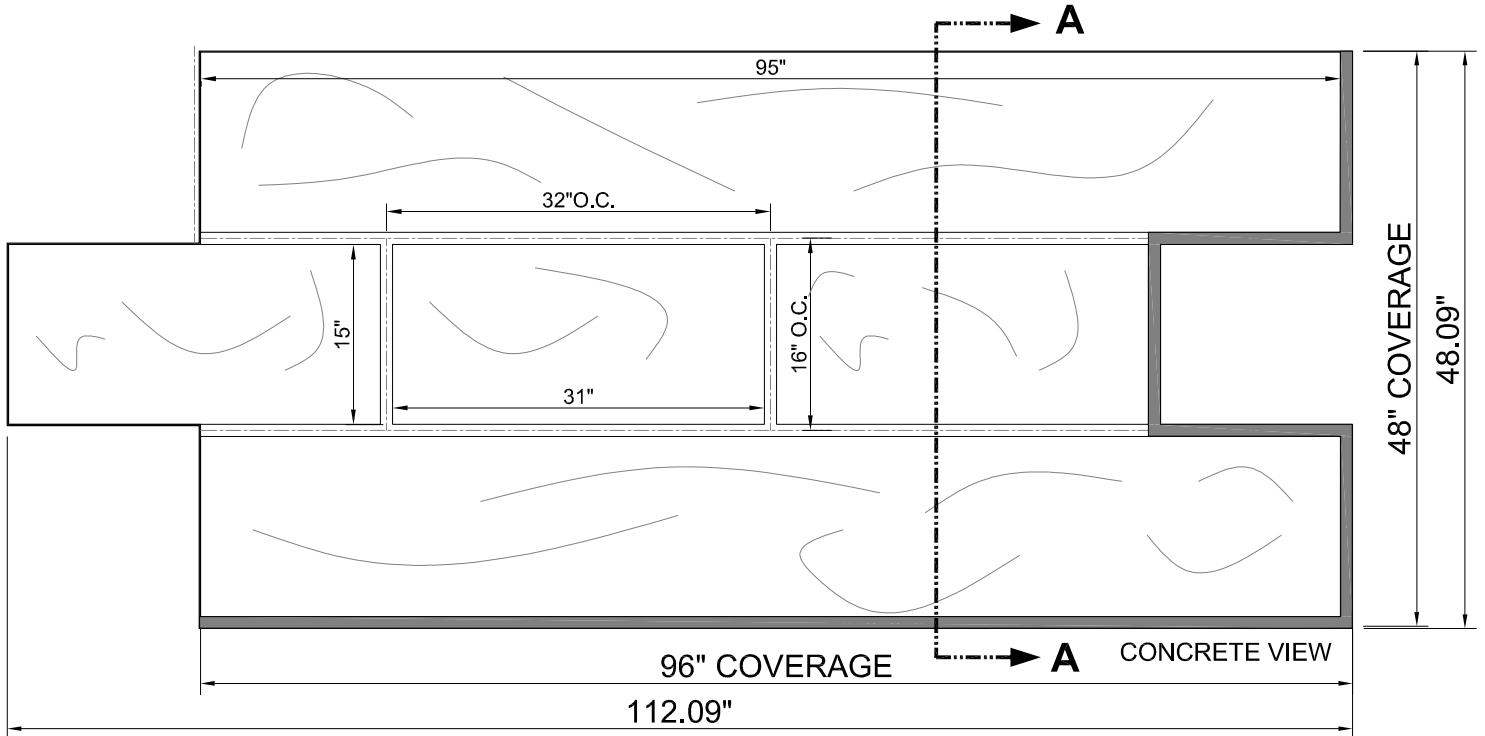
Forming The Future™

PATTERN 17981LP
Aged Iowa Sandstone Block
 16" Coursed Sandstone Block

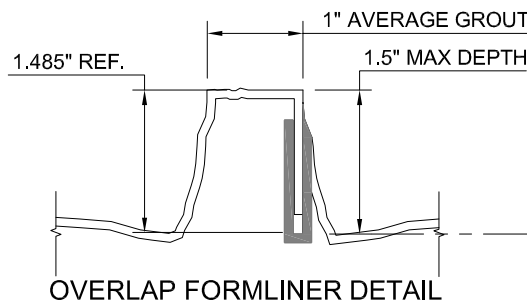
Fitzlok™
 Styrene - Single Use.

Stone & Rock
Part Size: 112.09"W x 48.09"H
Part Coverage: 96"W X 48"H (32 ft²)
Max Depth: 1.50"
Block Size: 95"W & 31"W X 15"H
Mortar Joints: 1" Horizontal
 1" Vertical

2 Designs Available - A & B



SECTION A-A



SHADED AREA FOR OVERLAP



17981LP

This document contains confidential and proprietary information of Fitzgerald Formliners, Inc. and is protected by copyright, trade secret, and other state and federal laws. Its receipt or possession does not cover any rights to reproduce, disclose its contents, or to manufacture, use, or sell anything it may describe. Reproduction, disclosure, or use without specific written authorization of Fitzgerald Formliners, Inc. is strictly forbidden.

FITZGERALD FORMLINERS

1500 East Chestnut Avenue • Santa Ana, CA 92701 • Fax (714) 245-9715

Ph: (800) 547-7760 • Ph (714) 547-6710 • www.formliners.com

Pattern can be requested in AutoCad format.

File Name: S-17981LP-FL-01-16-19

Page 1 of 1