



Forming The Future™

# PATTERN 15200A Rail Window Block Out C411-A

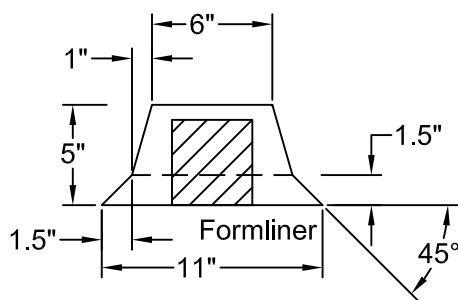
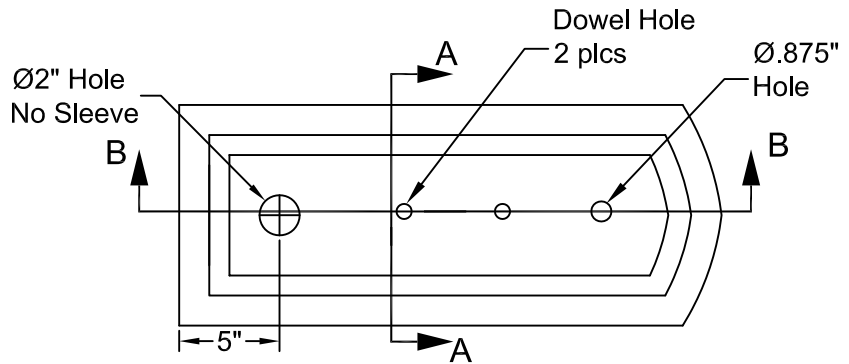
**GrayLastic™**

Elastomeric Urethane - up to 100 uses.  
Mold bonded to 0.75" plywood. Add 1.125" to liner thickness.

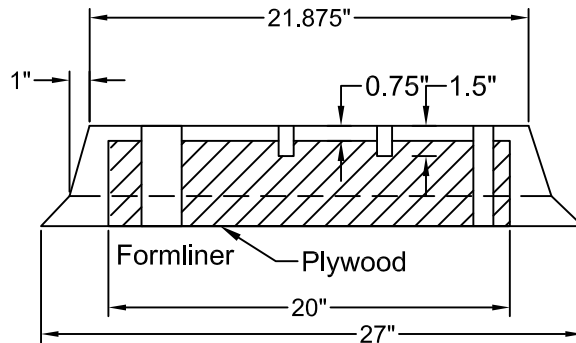
**Geometric**

**Part Size:** 11" W x 27" H

**Max Depth:** 5"



**Section AA  
Single Liner**



**Section B-B**

### FORMLINER DETAIL

This document contains confidential and proprietary information of Fitzgerald Formliners, Inc. and is protected by copyright, trade secret, and other state and federal laws. Its receipt or possession does not cover any rights to reproduce, disclose its contents, or to manufacture, use, or sell anything it may describe. Reproduction, disclosure, or use without specific written authorization of Fitzgerald Formliners, Inc. is strictly forbidden.

**FITZGERALD FORMLINERS**

1500 East Chestnut Avenue • Santa Ana, CA 92701 • Fax (714) 245-9715  
Ph: (800) 547-7760 • Ph (714) 547-6710 • [www.formliners.com](http://www.formliners.com)

*Pattern can be requested in AutoCad format.*

File Name: S-15200A-GR-2-24-09

Page 1 of 2



Forming The Future™

# PATTERN 15200A Rail Window Block Out C411-A

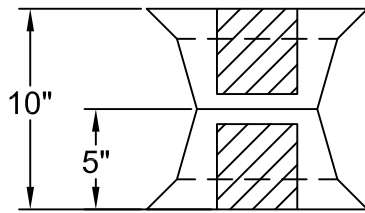
**GrayLastic™**

Elastomeric Urethane - up to 100 uses.  
Mold bonded to 0.75" plywood. Add 1.125" to liner thickness.

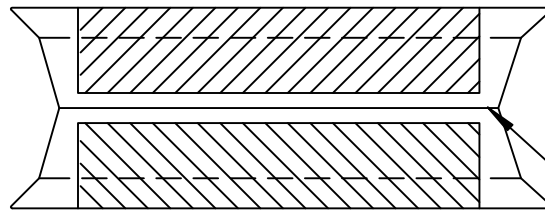
**Geometric**

**Part Size:** 11" W x 27" H

**Max Depth:** 5"

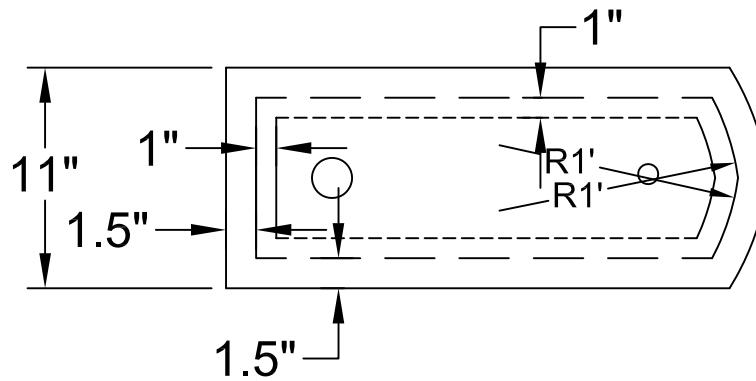


**End View  
Set of Liners**



**Side View - Set of Liners**

Joint where mold can be taken apart



**Top View**

This document contains confidential and proprietary information of Fitzgerald Formliners, Inc. and is protected by copyright, trade secret, and other state and federal laws. Its receipt or possession does not cover any rights to reproduce, disclose its contents, or to manufacture, use, or sell anything it may describe. Reproduction, disclosure, or use without specific written authorization of Fitzgerald Formliners, Inc. is strictly forbidden.

**FITZGERALD FORMLINERS**

1500 East Chestnut Avenue • Santa Ana, CA 92701 • Fax (714) 245-9715

Ph: (800) 547-7760 • Ph (714) 547-6710 • www.formliners.com

*Pattern can be requested in AutoCad format.*

File Name: S-15200A-GR-2-24-09

Page 2 of 2