



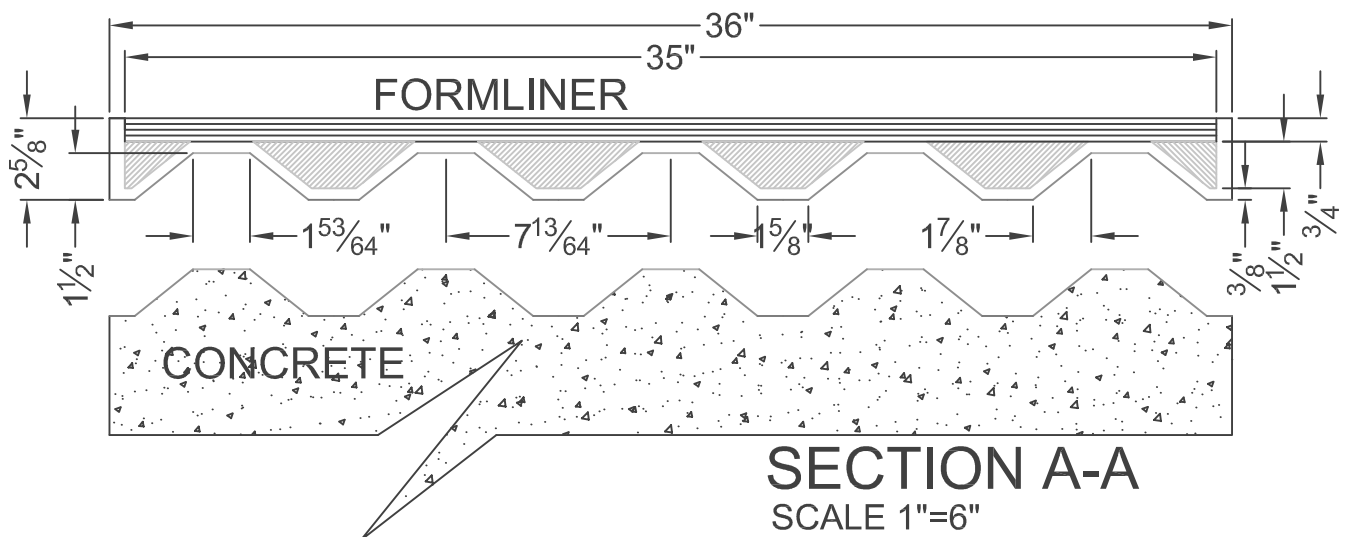
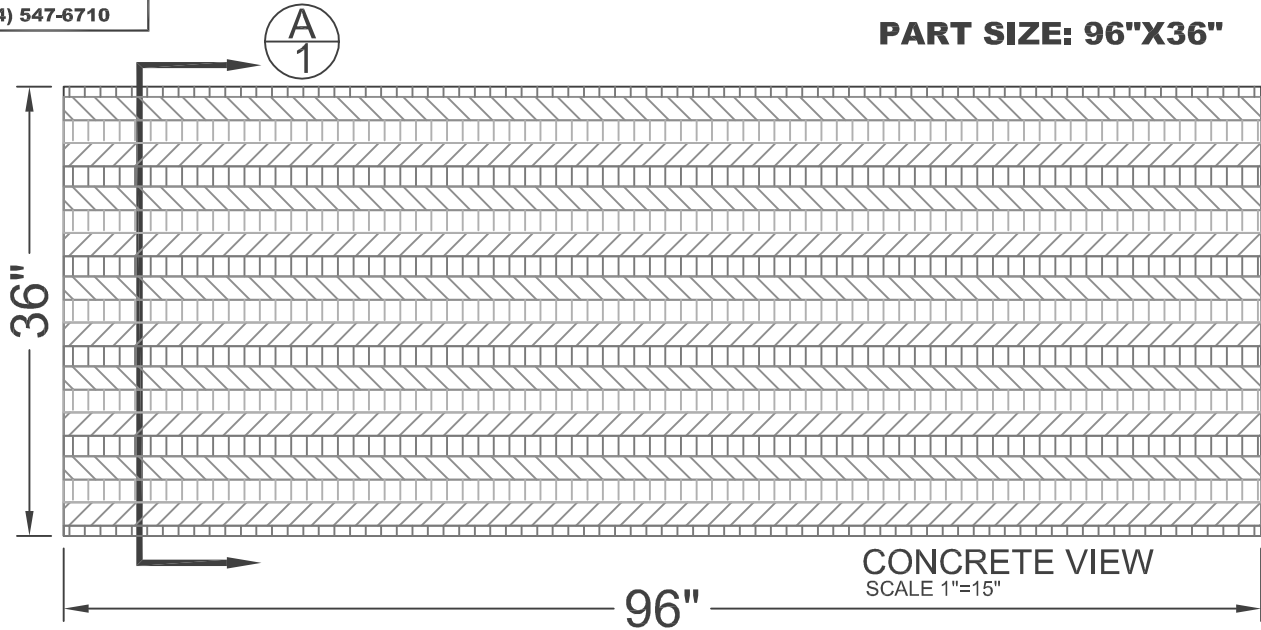
**FITZGERALD
FORMLINERS**

www.formliners.com
(714) 547-6710

PATTERN 14644

IL DOT FLUTED RIB
GRAYLASTIC™

1.5" DEPTH
7 13/64" ON CENTER
1 53/64" PEAK
1 5/8" VALLEY
1 7/8" DRAFT
PART SIZE: 96"X36"



ANY FULL PATTERN CAN BE DOWNLOADED IN AUTOCAD FORMAT FROM OUR WEBSITE AT WWW.FORMLINERS.COM

THIS DOCUMENT CONTAINS CONFIDENTIAL AND PROPRIETARY INFORMATION OF FITZGERALD FORMLINERS, INC. AND IS PROTECTED BY COPYRIGHT, TRADE SECRET, AND OTHER STATE AND FEDERAL LAWS. ITS RECEIPT OR POSSESSION DOES NOT COVER ANY RIGHTS TO REPRODUCE, DISCLOSE IT'S CONTENTS, OR TO MANUFACTURE, USE, OR SELL ANYTHING IT MAY DESCRIBE. REPRODUCTION, DISCLOSURE, OR USE WITHOUT SPECIFIC WRITTEN AUTHORIZATION OF FITZGERALD FORMLINERS, INC. IS STRICTLY PROHIBITED.



FITZGERALD FORMLINERS

1500 E. Chestnut Avenue, Santa Ana, CA 92701

(714) 547-6710
FAX (714) 547-7958
www.formliners.com

DWG NO: S-14642GR-1-001
DATE: 8/19/05 DRWN BY: S.B.
SCALE: VARIES SHEET 1 OF 1