

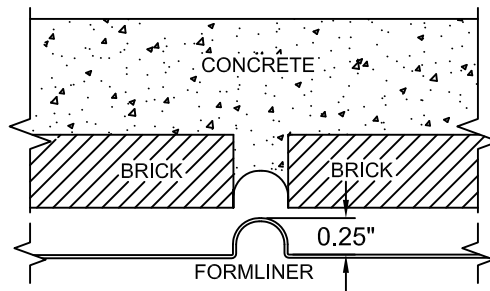
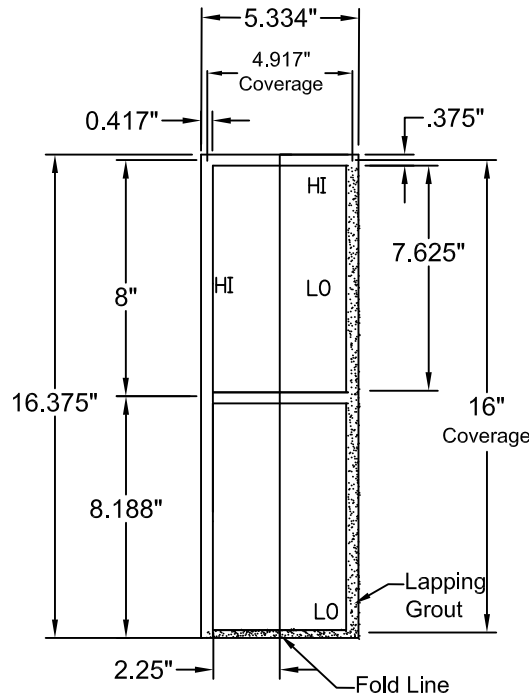


Forming The Future™

PATTERN 11301
Modular Thin Brick Gasket
 Soldier Course Return
 Single Stack
Single Use - Styrene .022"

Brick Master

Part Size: 4.917"W x 16"H (0.55 ft.²)
Part Coverage: 5.334"W x 16.375"H (0.61 ft.²)
Max Depth: 0.25"
Brick Size: 2.25"W x 3.54" H
Mortar Joints: 0.417" Hort.
 0.375" Vert.



FORMLINER DETAIL

This document contains confidential and proprietary information of Fitzgerald Formliners, Inc. and is protected by copyright, trade secret, and other state and federal laws. Its receipt or possession does not cover any rights to reproduce, disclose its contents, or to manufacture, use, or sell anything it may describe. Reproduction, disclosure, or use without specific written authorization of Fitzgerald Formliners, Inc. is strictly forbidden.

FITZGERALD FORMLINERS
 1500 East Chestnut Avenue • Santa Ana, CA 92701 • Fax (714) 245-9715
 Ph: (800) 547-7760 • Ph (714) 547-6710 • www.formliners.com

Pattern can be requested in AutoCad format.

File Name: S-11301SCR-VF-2-9-09

Page 1 of 1