



Forming The Future™

PATTERN 17917A

Lone Star Ashlar

Random Cut Stone, Heavy Texture Face

GrayLastic™

Elastomeric Urethane - up to 100 uses.
 Mold bonded to 0.75" plywood. Add 1.125" to liner thickness.

Stone & Rock

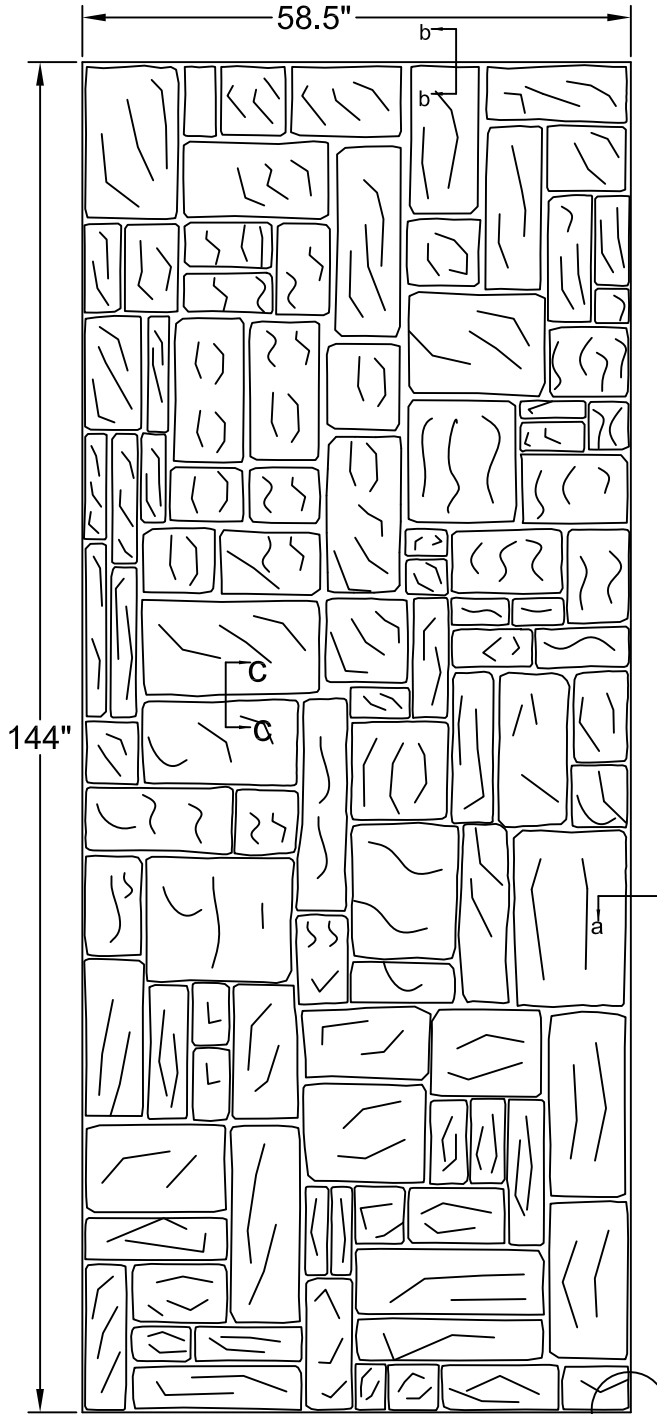
Part Size: 58.5" W x 144" H

Max Depth: 1.62"

Draft: 0.25"

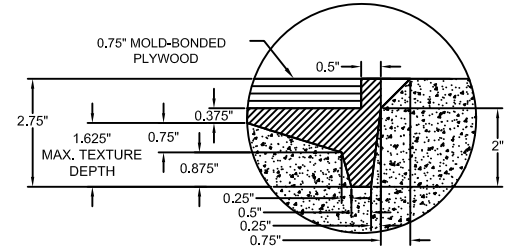
Note:

Actual stone configurations may vary from drawing.

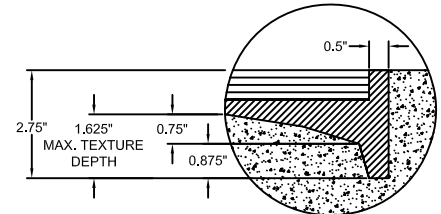


FORMLINER VIEW

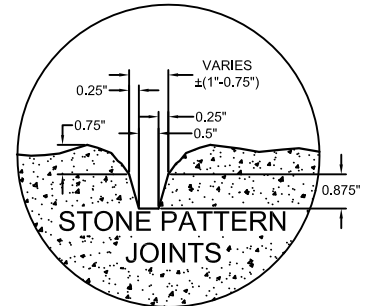
SEE DETAIL 1



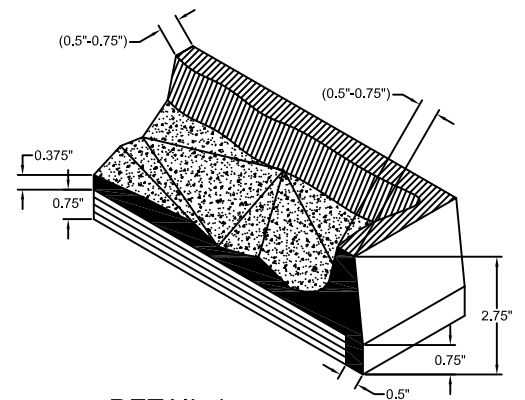
SECTION a-a



SECTION b-b



SECTION c-c



DETAIL 1

This document contains confidential and proprietary information of Fitzgerald Formliners, Inc. and is protected by copyright, trade secret, and other state and federal laws. Its receipt or possession does not cover any rights to reproduce, disclose its contents, or to manufacture, use, or sell anything it may describe. Reproduction, disclosure, or use without specific written authorization of Fitzgerald Formliners, Inc. is strictly forbidden.

FITZGERALD FORMLINERS

1500 East Chestnut Avenue • Santa Ana, CA 92701 • Fax (714) 245-9715
 Ph: (800) 547-7760 • Ph (714) 547-6710 • www.formliners.com

Pattern can be requested in AutoCad format.

File Name: S-17917-GR-7-27-07

Page 1 of 1