



Forming The Future™

PATTERN 17004

Liberty Island Stone 2.75" Depth

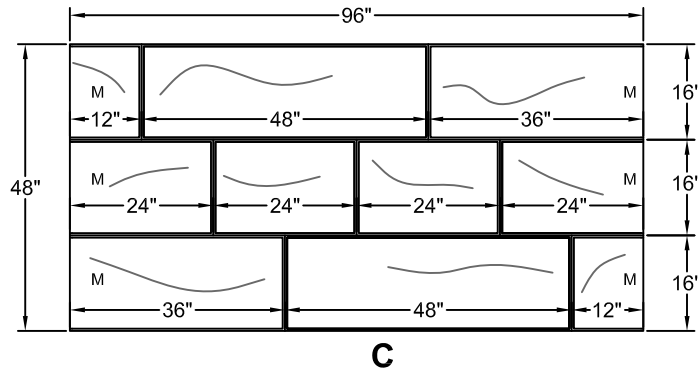
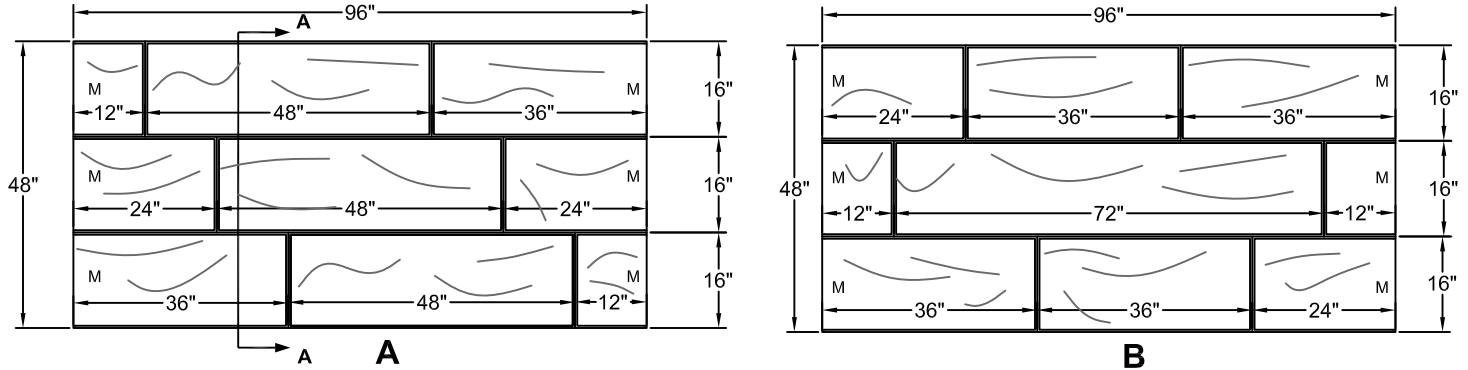
Random Cut Stone, Heavy Texture Face

GrayLastic™

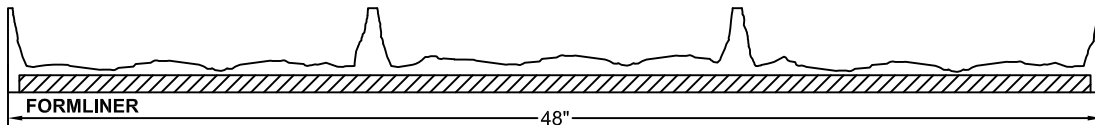
Elastomeric Urethane - up to 100 uses.
 Mold bonded to 0.75" plywood. Add 1.125" to liner thickness.

Stone & Rock
Part Size: 96" W x 48" H
Max Depth: 2.75"
Grout Width: 0.375"

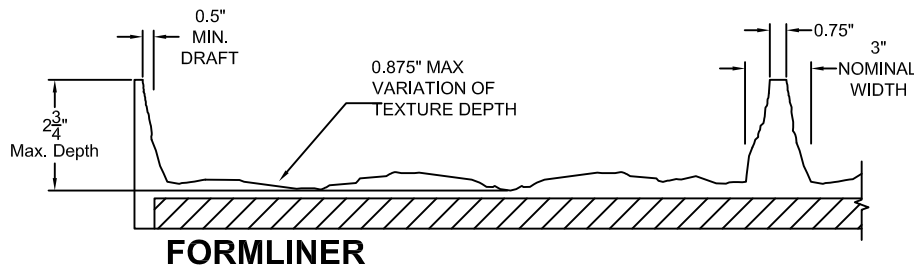
Pattern matches side to side
 and top to bottom.



CONCRETE



SECTION A-A



FORMLINER DETAIL

This document contains confidential and proprietary information of Fitzgerald Formliners, Inc. and is protected by copyright, trade secret, and other state and federal laws. Its receipt or possession does not cover any rights to reproduce, disclose its contents, or to manufacture, use, or sell anything it may describe. Reproduction, disclosure, or use without specific written authorization of Fitzgerald Formliners, Inc. is strictly forbidden.

FITZGERALD FORMLINERS
 1500 East Chestnut Avenue • Santa Ana, CA 92701 • Fax (714) 245-9715
 Ph: (800) 547-7760 • Ph (714) 547-6710 • www.formliners.com

Pattern can be requested in AutoCad format.

File Name: S-17004-GR-2-27-09

Page 1 of 2



Forming The Future™

PATTERN 17004 Liberty Island Stone 2.75" Depth

Random Cut Stone, Heavy Texture Face

GrayLastic™

Elastomeric Urethane - up to 100 uses.
Mold bonded to 0.75" plywood. Add 1.125" to liner thickness.

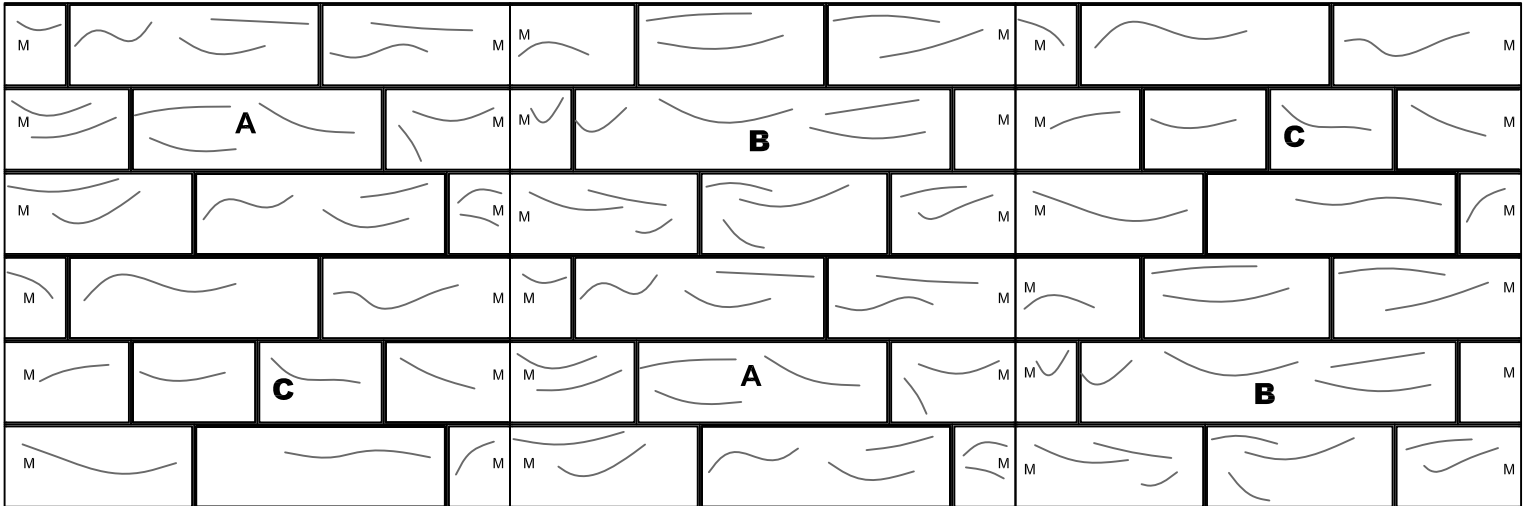
Stone & Rock

Part Size: 96" W x 48" H

Max Depth: 2.75"

Grout Width: 0.375"

Pattern matches side to side
and top to bottom.



FORMLINER DETAIL

This document contains confidential and proprietary information of Fitzgerald Formliners, Inc. and is protected by copyright, trade secret, and other state and federal laws. Its receipt or possession does not cover any rights to reproduce, disclose its contents, or to manufacture, use, or sell anything it may describe. Reproduction, disclosure, or use without specific written authorization of Fitzgerald Formliners, Inc. is strictly forbidden.

FITZGERALD FORMLINERS

1500 East Chestnut Avenue • Santa Ana, CA 92701 • Fax (714) 245-9715
Ph: (800) 547-7760 • Ph (714) 547-6710 • www.formliners.com

Pattern can be requested in AutoCad format.

File Name: S-17004-GR-2-27-08

Page 2 of 2



Forming The Future™

PATTERN 17004 (shallow) Liberty Island Stone 1.625" Depth

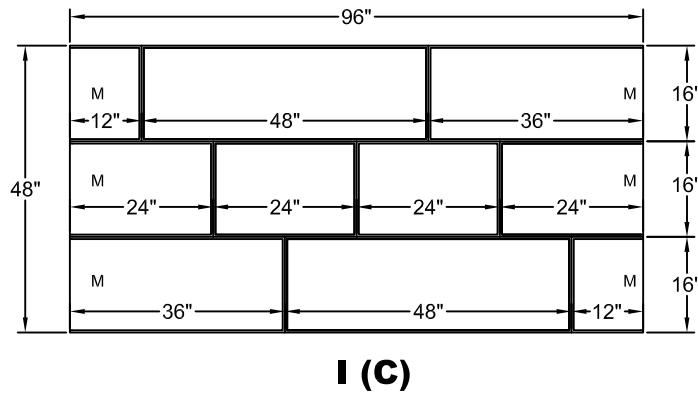
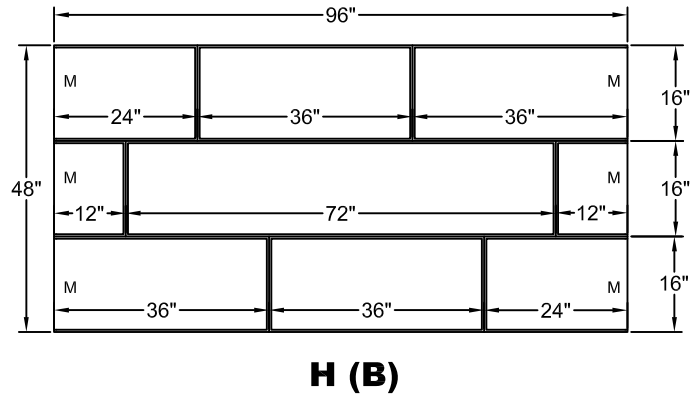
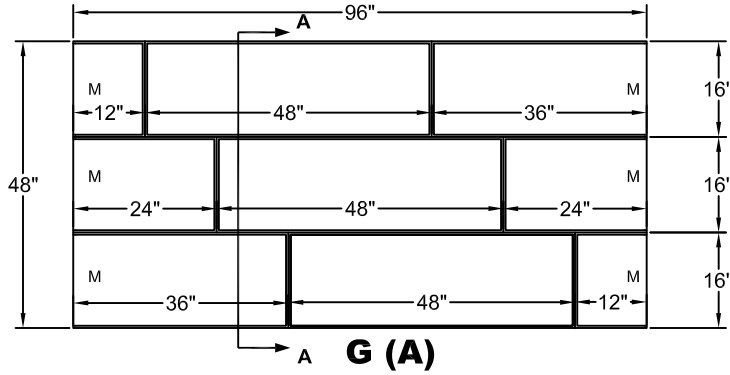
Random Cut Stone, Heavy Texture Face

GrayLastic™

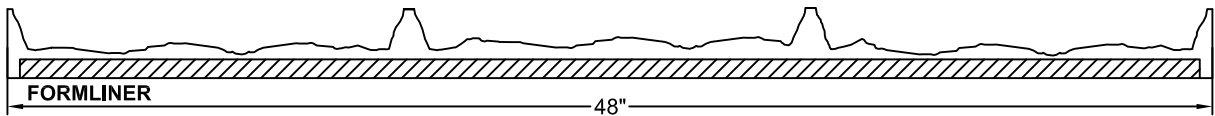
Elastomeric Urethane - up to 100 uses.
Mold bonded to 0.75" plywood. Add 1.125" to liner thickness.

Stone & Rock
Part Size: 96" W x 48" H
Max Depth: 1.65"
Grout Width: 0.375"

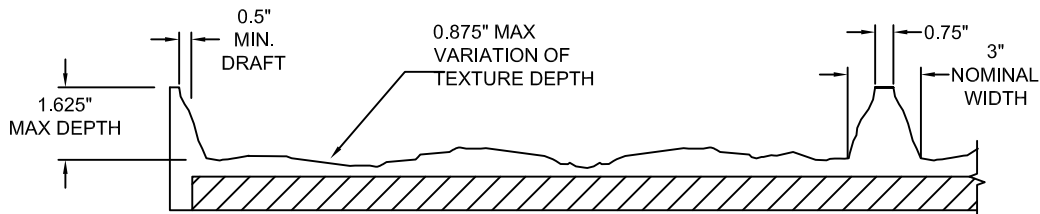
Pattern matches side to side
and top to bottom.



CONCRETE



SECTION A-A



FORMLINER DETAIL

This document contains confidential and proprietary information of Fitzgerald Formliners, Inc. and is protected by copyright, trade secret, and other state and federal laws. Its receipt or possession does not cover any rights to reproduce, disclose its contents, or to manufacture, use, or sell anything it may describe. Reproduction, disclosure, or use without specific written authorization of Fitzgerald Formliners, Inc. is strictly forbidden.

FITZGERALD FORMLINERS
1500 East Chestnut Avenue • Santa Ana, CA 92701 • Fax (714) 245-9715
Ph: (800) 547-7760 • Ph (714) 547-6710 • www.formliners.com

Pattern can be requested in AutoCad format.

File Name: S-17004-GR-2-1-08

Page 1 of 1



Forming The Future™

PATTERN 17004 (Shallow) Liberty Island Stone 1.625" Depth

Random Cut Stone, Heavy Texture Face

GrayLastic™

Elastomeric Urethane - up to 100 uses.
Mold bonded to 0.75" plywood. Add 1.125" to liner thickness.

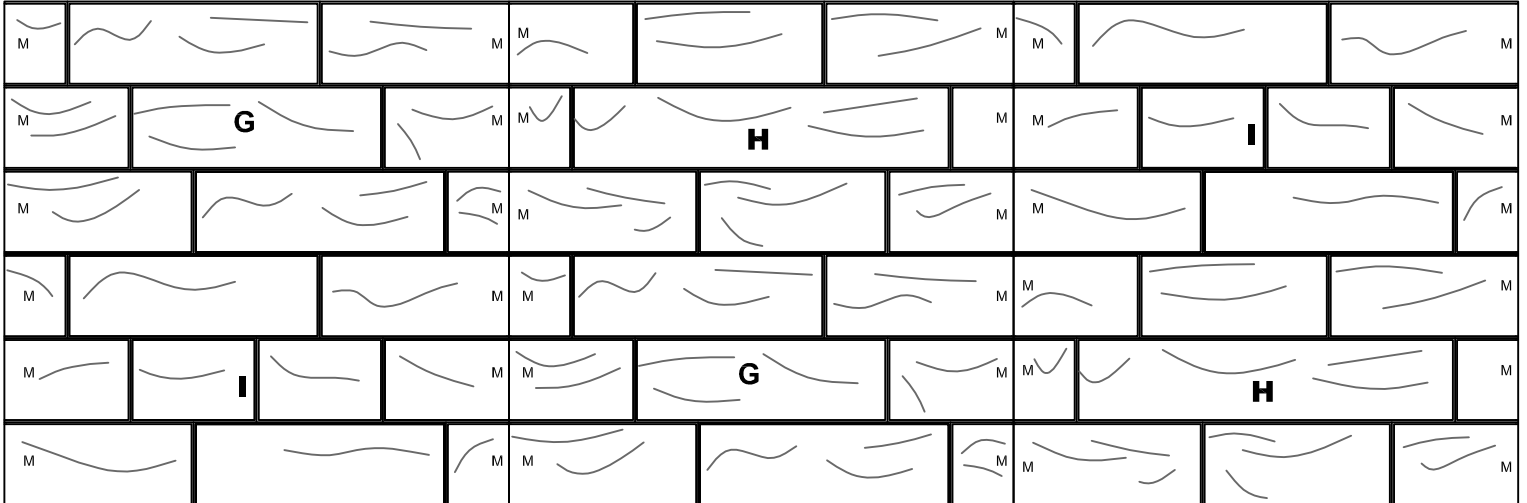
Stone & Rock

Part Size: 96" W x 48" H

Max Depth: 1.65"

Grout Width: 0.375"

Pattern matches side to side
and top to bottom.



This document contains confidential and proprietary information of Fitzgerald Formliners, Inc. and is protected by copyright, trade secret, and other state and federal laws. Its receipt or possession does not cover any rights to reproduce, disclose its contents, or to manufacture, use, or sell anything it may describe. Reproduction, disclosure, or use without specific written authorization of Fitzgerald Formliners, Inc. is strictly forbidden.

FITZGERALD FORMLINERS

1500 East Chestnut Avenue • Santa Ana, CA 92701 • Fax (714) 245-9715
Ph: (800) 547-7760 • Ph (714) 547-6710 • www.formliners.com

Pattern can be requested in AutoCad format.

File Name: S-17004-GR-2-27-09

Page 2 of 2