



**FITZGERALD  
FORMLINERS**

www.formliners.com  
(714) 547-6710

# PATTERN 16969

## DAVISON HIGHWAY ROPE

### GRAYLASTIC™

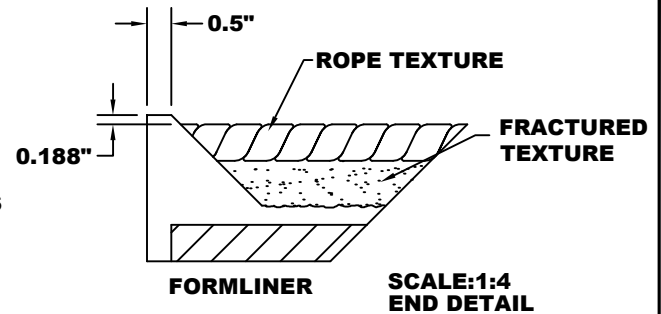
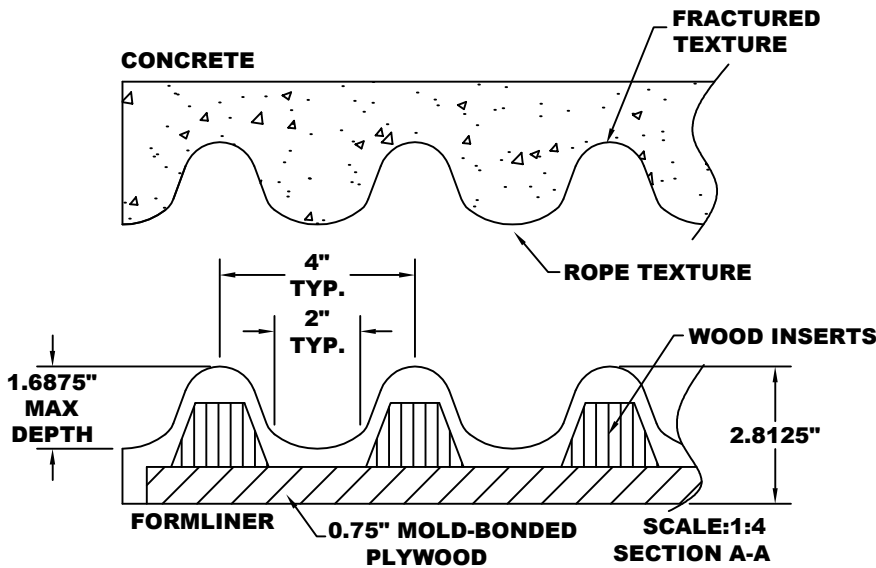
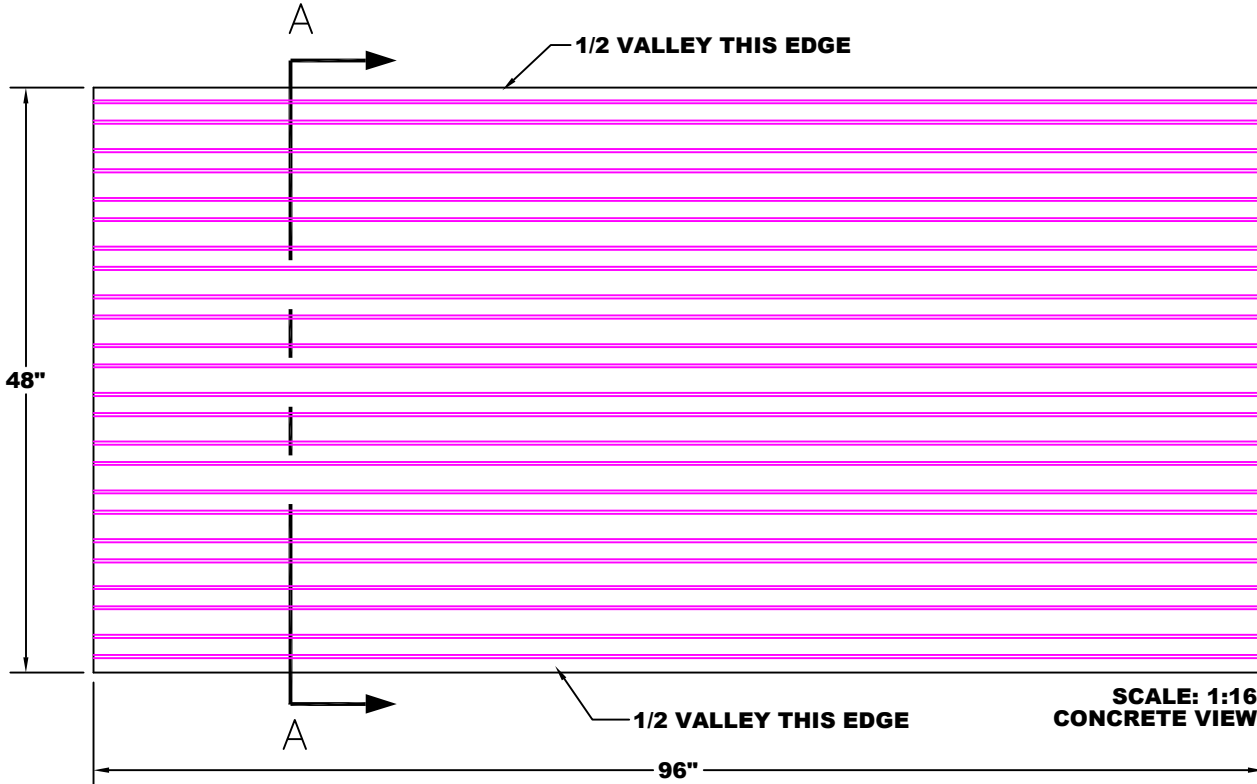
2" RIP-OUT ROPE TEXTURE

4" ON CENTER

2" FACE

1.5" VALLEY

PART SIZE: 48"W X 96"H



ANY FULL PATTERN CAN BE DOWNLOADED IN AUTOCAD FORMAT FROM OUR WEBSITE AT [WWW.FORMLINERS.COM](http://WWW.FORMLINERS.COM)

THIS DOCUMENT CONTAINS CONFIDENTIAL AND PROPRIETARY INFORMATION OF FITZGERALD FORMLINERS, INC. AND IS PROTECTED BY COPYRIGHT, TRADE SECRET, AND OTHER STATE AND FEDERAL LAWS. ITS RECEIPT OR POSSESSION DOES NOT COVER ANY RIGHTS TO REPRODUCE, DISCLOSE ITS CONTENTS, OR TO MANUFACTURE, USE, OR SELL ANYTHING IT MAY DESCRIBE. REPRODUCTION, DISCLOSURE, OR USE WITHOUT SPECIFIC WRITTEN AUTHORIZATION OF FITZGERALD FORMLINERS, INC. IS STRICTLY PROHIBITED.



**FITZGERALD FORMLINERS**

1500 E. Chestnut Avenue, Santa Ana, CA 92701

(714) 547-6710  
FAX (714) 547-7958  
www.formliners.com

DWG NO: S-16969GR-1-001  
DATE: 5/21/03 DRWN BY: S.M.  
SCALE: VARIES SHEET 1 OF 1