



Forming The Future™

PATTERN 17987A Palm Desert Stone

Light Sandstone Texture

Vac-U-Form™

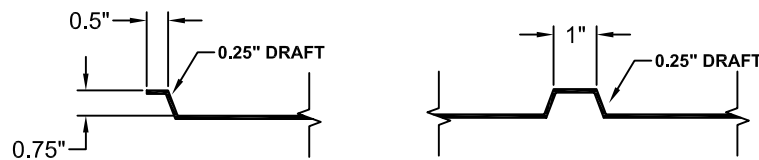
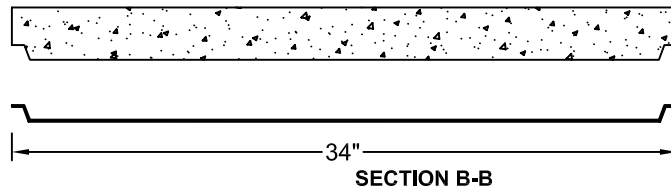
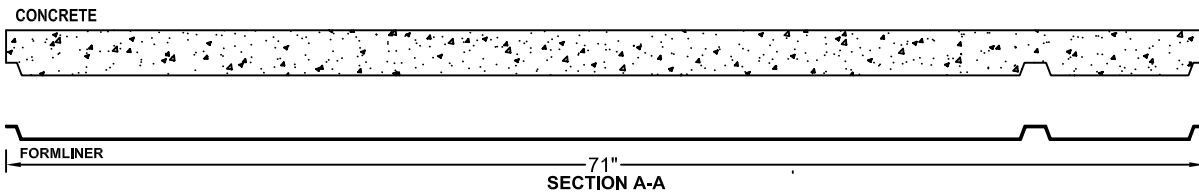
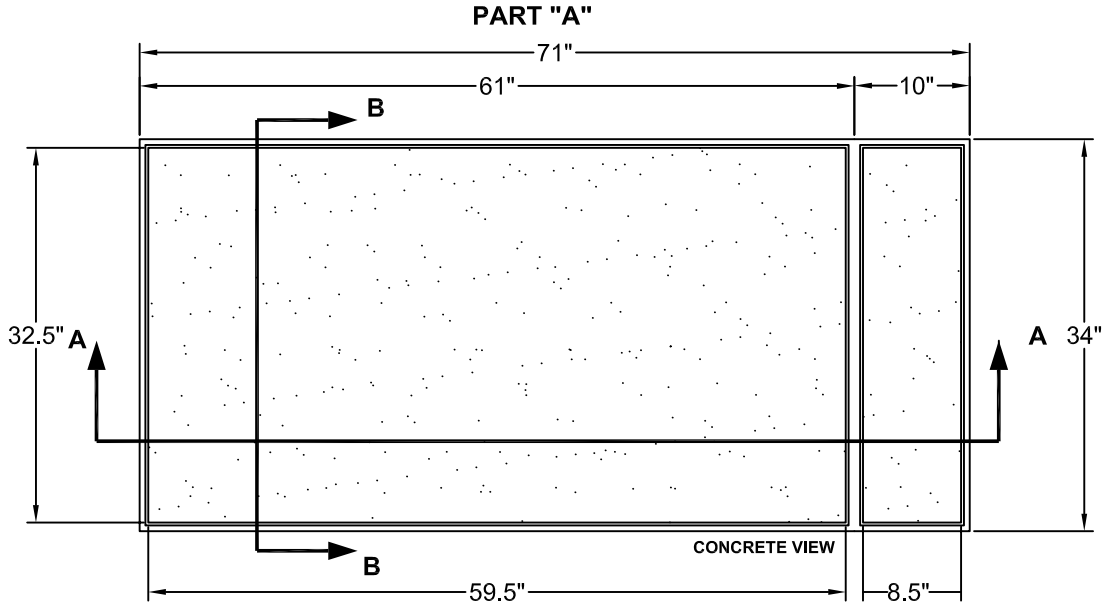
Styrene - Single Use.
ABS Plastic - Up to 15 reuses.

Stone & Rock

Part Size: (A) 71"W x 34"H
(B) 71"W x 44"H

Max Depth: 0.75"

Perimeter reveals are 0.5" plus 0.25" draft.
center reveals are 1" plus 0.25" draft on each side.



FORMLINER DETAIL

This document contains confidential and proprietary information of Fitzgerald Formliners, Inc. and is protected by copyright, trade secret, and other state and federal laws. Its receipt or possession does not cover any rights to reproduce, disclose its contents, or to manufacture, use, or sell anything it may describe. Reproduction, disclosure, or use without specific written authorization of Fitzgerald Formliners, Inc. is strictly forbidden.

FITZGERALD FORMLINERS
1500 East Chestnut Avenue • Santa Ana, CA 92701 • Fax (714) 245-9715
Ph: (800) 547-7760 • Ph (714) 547-6710 • www.formliners.com

Pattern can be requested in AutoCad format.

File Name: S-17987-VF-2-15-07

Page 1 of 2



Forming The Future™

PATTERN 17987B Palm Desert Stone

Light Sandstone Texture

Vac-U-Form™

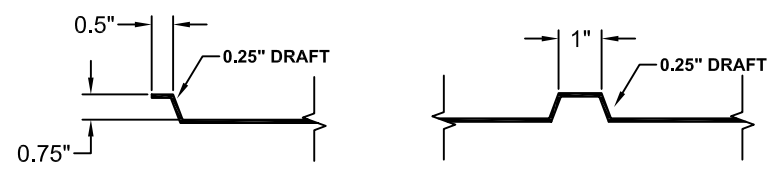
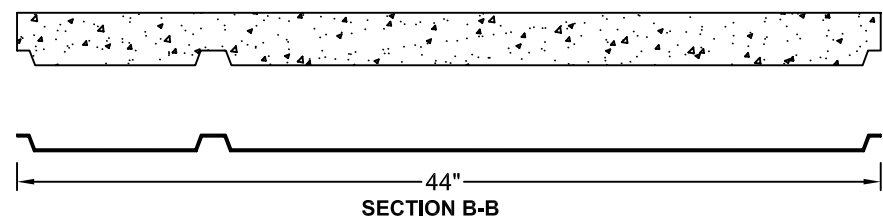
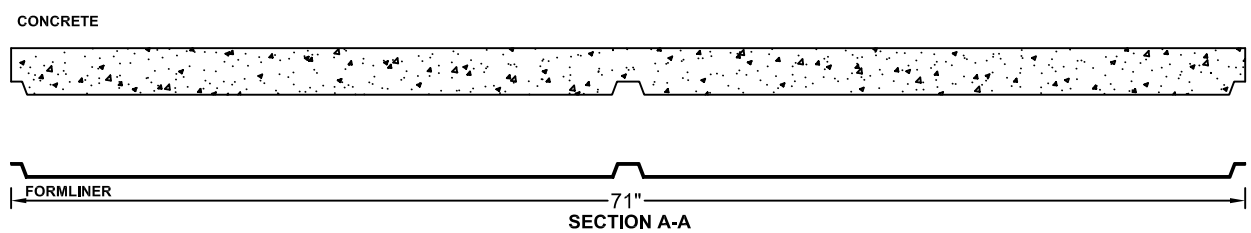
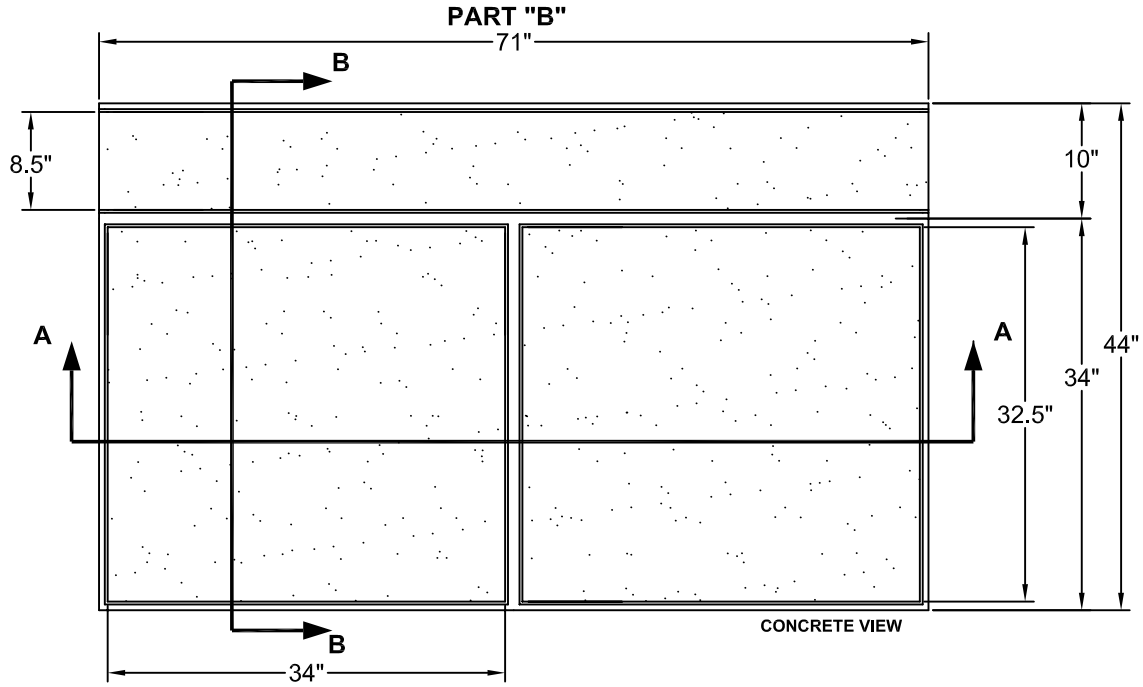
Styrene - Single Use.
ABS Plastic - Up to 15 reuses.

Stone & Rock

Part Size: (A) 71"W x 34"H
(B) 71"W x 44"H

Max Depth: 0.75"

Perimeter reveals are 0.5" plus 0.25" draft.
center reveals are 1" plus 0.25" draft on each side.



This document contains confidential and proprietary information of Fitzgerald Formliners, Inc. and is protected by copyright, trade secret, and other state and federal laws. Its receipt or possession does not cover any rights to reproduce, disclose its contents, or to manufacture, use, or sell anything it may describe. Reproduction, disclosure, or use without specific written authorization of Fitzgerald Formliners, Inc. is strictly forbidden.

FITZGERALD FORMLINERS
1500 East Chestnut Avenue • Santa Ana, CA 92701 • Fax (714) 245-9715
Ph: (800) 547-7760 • Ph (714) 547-6710 • www.formliners.com

Pattern can be requested in AutoCad format.
File Name: S-17987-VF-2-15-07 Page 2 of 2