



Forming The Future™

# PATTERN 05001

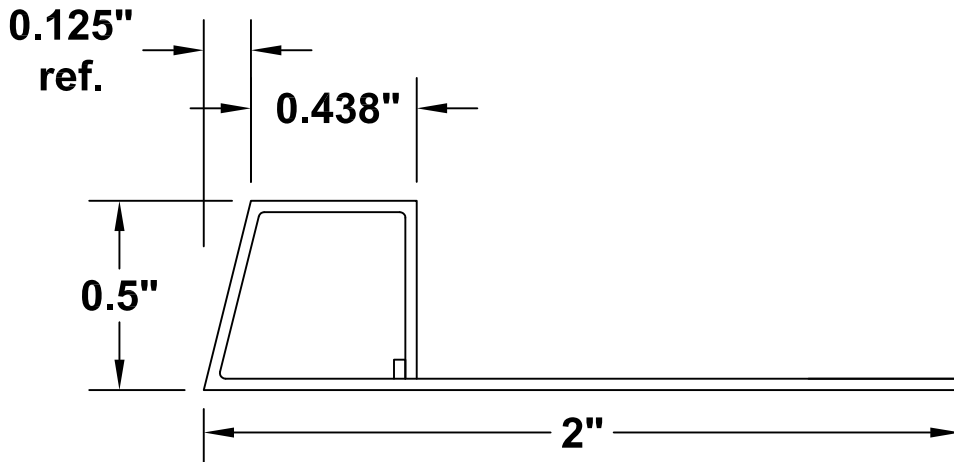
## Reveal Strip

0.50 Depth, .438 Flat Top Reveal

### Reveal

**Part Size:** 2.0" width  
length up to 40'

**Max Depth:** 0.50"



This document contains confidential and proprietary information of Fitzgerald Formliners, Inc. and is protected by copyright, trade secret, and other state and federal laws. Its receipt or possession does not cover any rights to reproduce, disclose its contents, or to manufacture, use, or sell anything it may describe. Reproduction, disclosure, or use without specific written authorization of Fitzgerald Formliners, Inc. is strictly forbidden.