

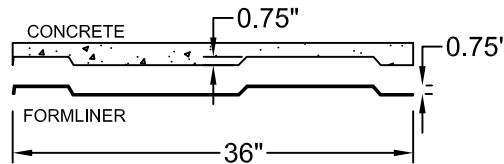
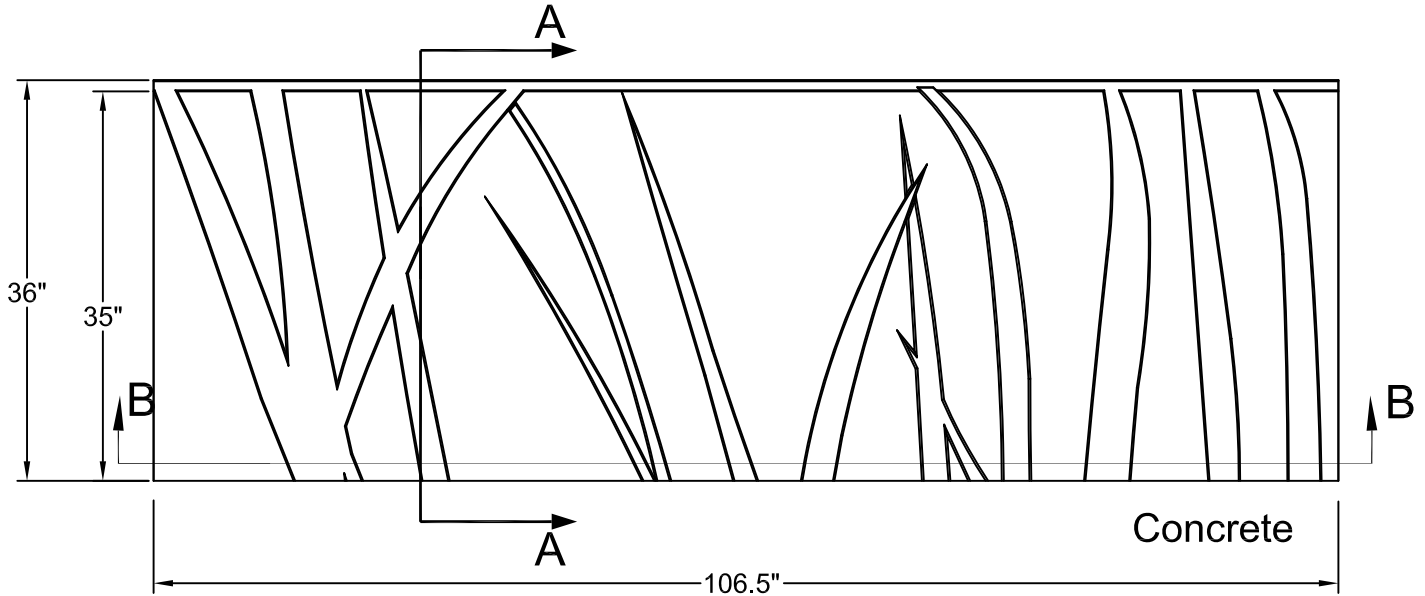


Forming The Future™

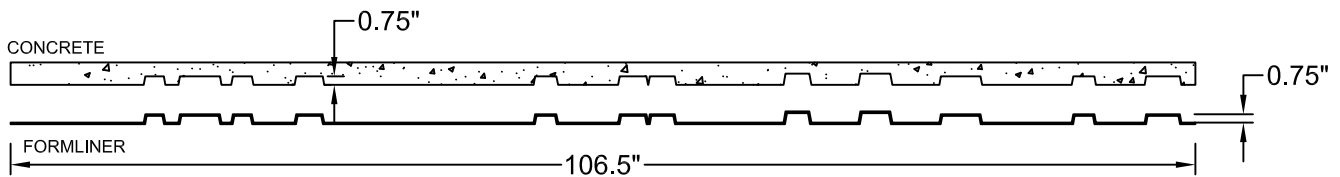
PATTERN 20003A-36 Western Range Grass

Vac-U-Form™
Styrene - Single Use.

Geometric
Part Size: 106.5" W x 36" H
Max Depth: 0.75"



SECTION A-A



SECTION B-B

This document contains confidential and proprietary information of Fitzgerald Formliners, Inc. and is protected by copyright, trade secret, and other state and federal laws. Its receipt or possession does not cover any rights to reproduce, disclose its contents, or to manufacture, use, or sell anything it may describe. Reproduction, disclosure, or use without specific written authorization of Fitzgerald Formliners, Inc. is strictly forbidden.

FITZGERALD FORMLINERS

1500 East Chestnut Avenue • Santa Ana, CA 92701

Ph: (800) 547-7760 • Fax (714) 245-9715 • WWW.FORMLINERS.COM

Pattern can be requested in AutoCad format.

File Name: S-20003-36-VF-3-6-09

Page 1 of 3



Forming The Future™

PATTERN 20003B-36 Western Range Grass

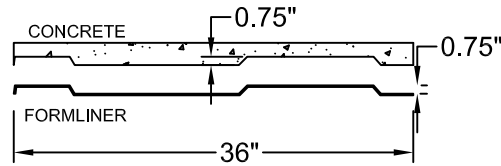
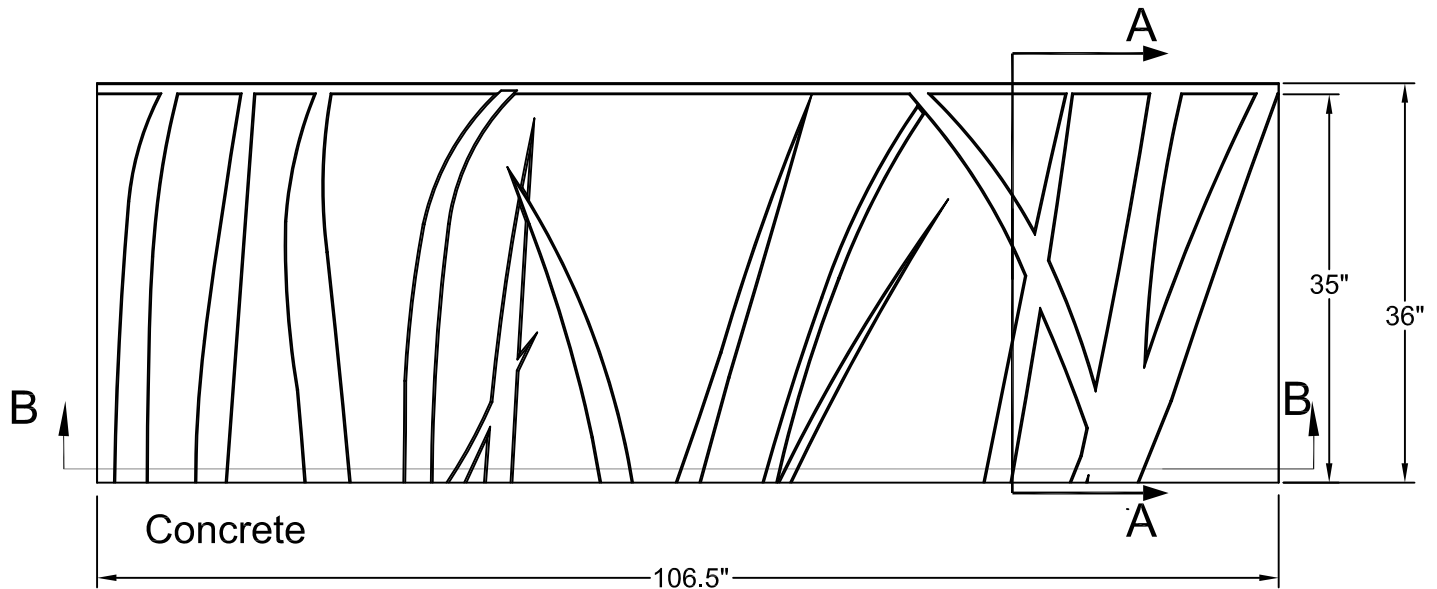
Grass Pattern

Vac-U-Form™
Styrene - Single Use.

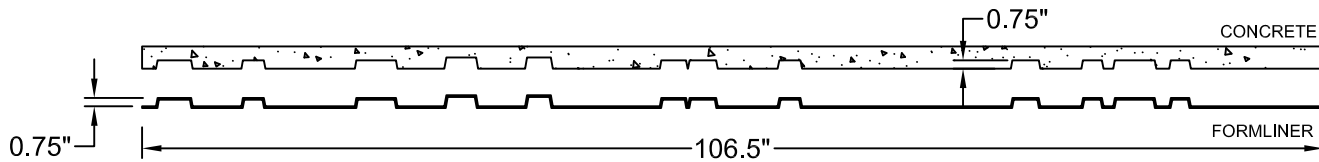
Geometric

Part Size: 106.5" W x 36" H

Max Depth: 0.75"



SECTION A-A



SECTION B-B

This document contains confidential and proprietary information of Fitzgerald Formliners, Inc. and is protected by copyright, trade secret, and other state and federal laws. Its receipt or possession does not cover any rights to reproduce, disclose its contents, or to manufacture, use, or sell anything it may describe. Reproduction, disclosure, or use without specific written authorization of Fitzgerald Formliners, Inc. is strictly forbidden.

FITZGERALD FORMLINERS

1500 East Chestnut Avenue • Santa Ana, CA 92701

Ph: (800) 547-7760 • Fax (714) 245-9715 • WWW.FORMLINERS.COM

Pattern can be requested in AutoCad format.

File Name: S-20003-36-VF-3-6-09

Page 2 of 3



Forming The Future™

PATTERN 20003 Western Range Grass

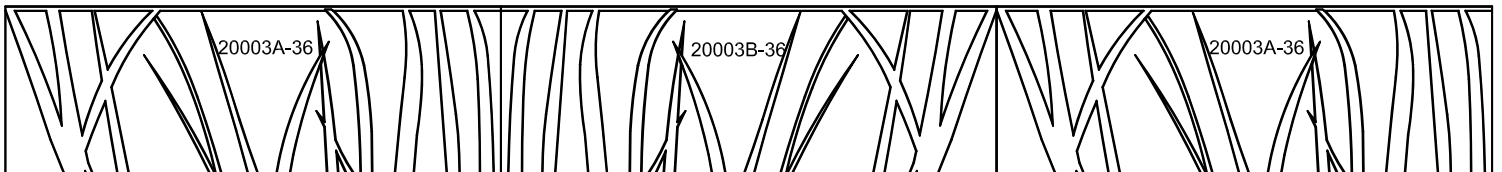
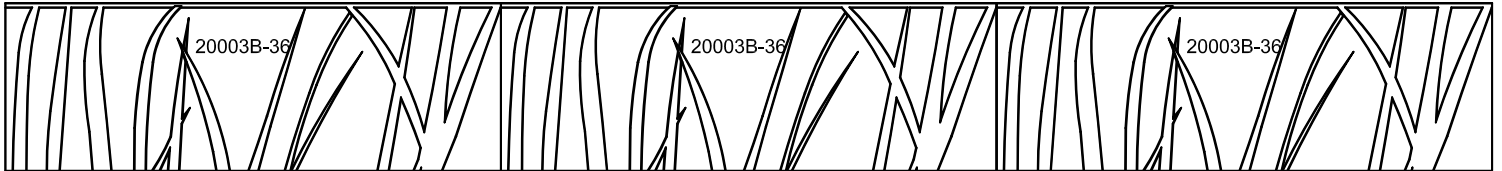
Grass Pattern

Vac-U-Form™
Styrene - Single Use.

Geometric

Part Size: 106.5" W x 36" H

Max Depth: 0.75"



This document contains confidential and proprietary information of Fitzgerald Formliners, Inc. and is protected by copyright, trade secret, and other state and federal laws. Its receipt or possession does not cover any rights to reproduce, disclose its contents, or to manufacture, use, or sell anything it may describe. Reproduction, disclosure, or use without specific written authorization of Fitzgerald Formliners, Inc. is strictly forbidden.

FITZGERALD FORMLINERS

1500 East Chestnut Avenue • Santa Ana, CA 92701

Ph: (800) 547-7760 • Fax (714) 245-9715 • WWW.FORMLINERS.COM

Pattern can be requested in AutoCad format.

File Name: S-20003-36-VF-3-6-09

Page 3 of 3