



Forming The Future™

# PATTERN 14316

## Fluted Rib

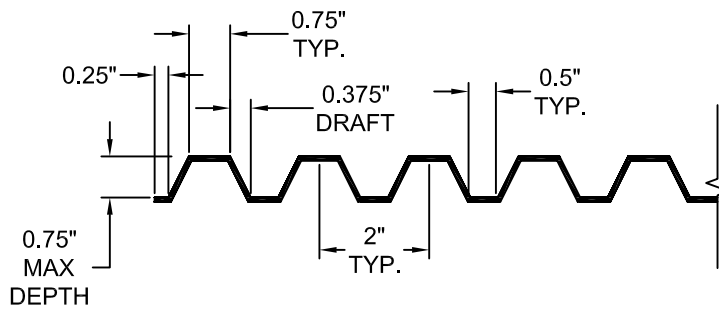
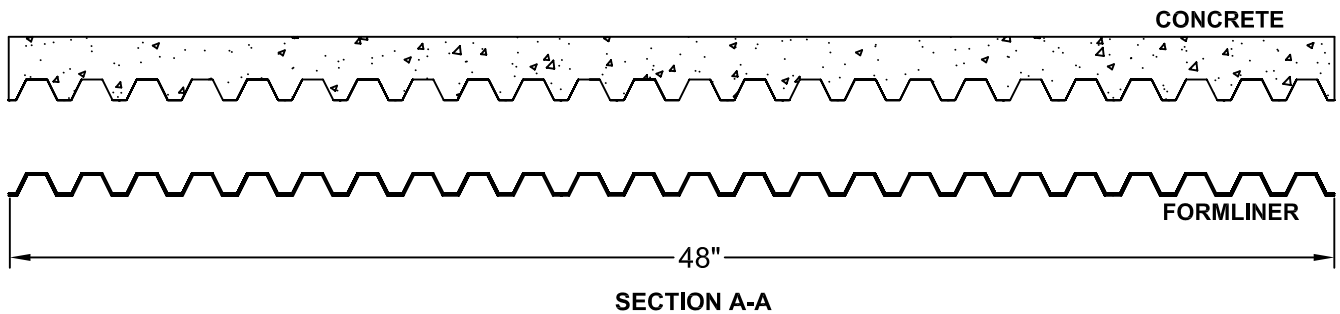
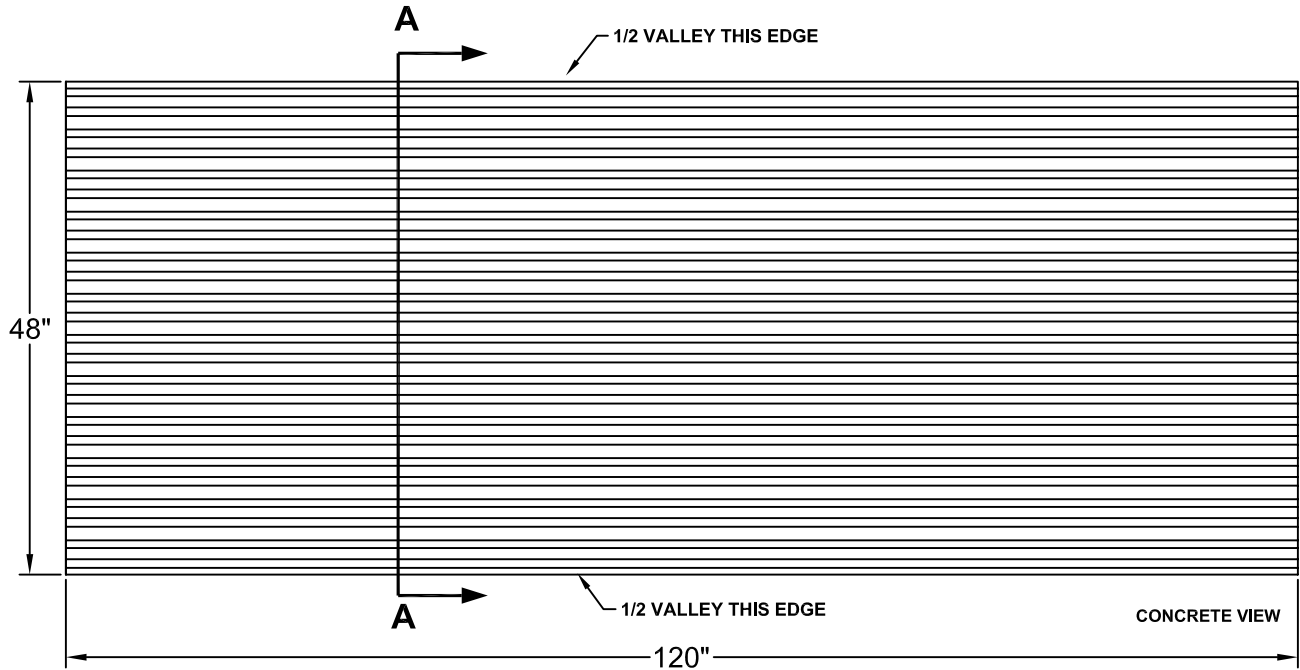
0.75 Depth, 2" On Center

### Vac-U-Form™

Styrene - Single Use.  
ABS Plastic - Up to 15 reuses.

#### Fluted Rib

<b>Part Size:</b>	48"W x 120"H
<b>Max Depth:</b>	0.75"
<b>On Center:</b>	2.0"
<b>Peak:</b>	0.75"
<b>Valley:</b>	0.5"
<b>Draft:</b>	0.375"



**FORMLINER DETAIL**

This document contains confidential and proprietary information of Fitzgerald Formliners, Inc. and is protected by copyright, trade secret, and other state and federal laws. Its receipt or possession does not cover any rights to reproduce, disclose its contents, or to manufacture, use, or sell anything it may describe. Reproduction, disclosure, or use without specific written authorization of Fitzgerald Formliners, Inc. is strictly forbidden.