



Forming The Future™

PATTERN 16919 San Diego Wood Plank

Medium Grain Planks with fractured fin joint

GrayLastic™

Elastomeric Urethane - up to 100 uses.
Mold bonded to 0.75" plywood. Add 1.125" to liner thickness.

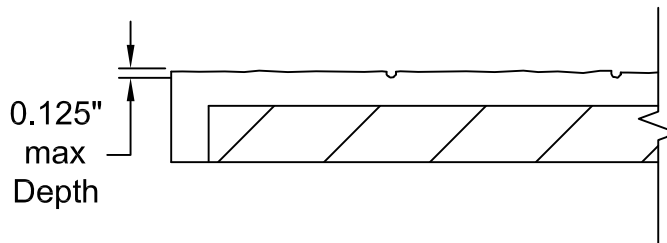
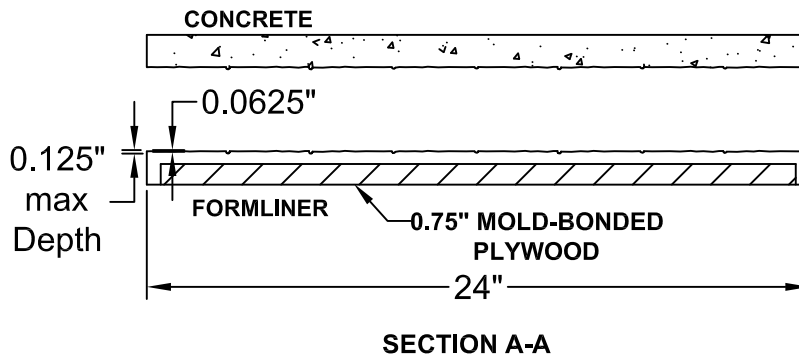
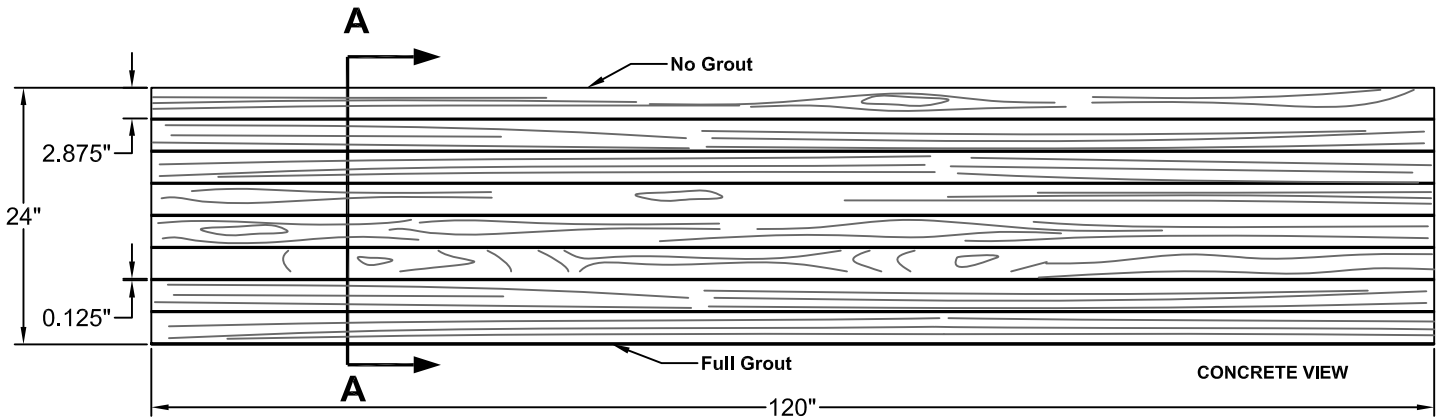
Wooden Plank

Part Size: 120" W x 24" H

Max Depth: 0.125"

On Center: 3.0"

Note: 6 variation available



This document contains confidential and proprietary information of Fitzgerald Formliners, Inc. and is protected by copyright, trade secret, and other state and federal laws. Its receipt or possession does not cover any rights to reproduce, disclose its contents, or to manufacture, use, or sell anything it may describe. Reproduction, disclosure, or use without specific written authorization of Fitzgerald Formliners, Inc. is strictly forbidden.