



Forming The Future™

PATTERN 15022 NTTA Logo

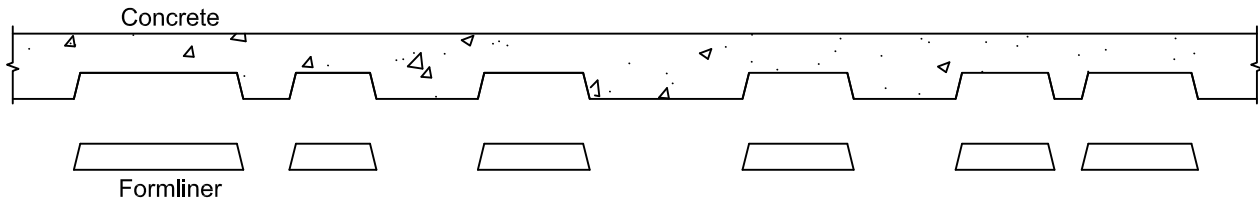
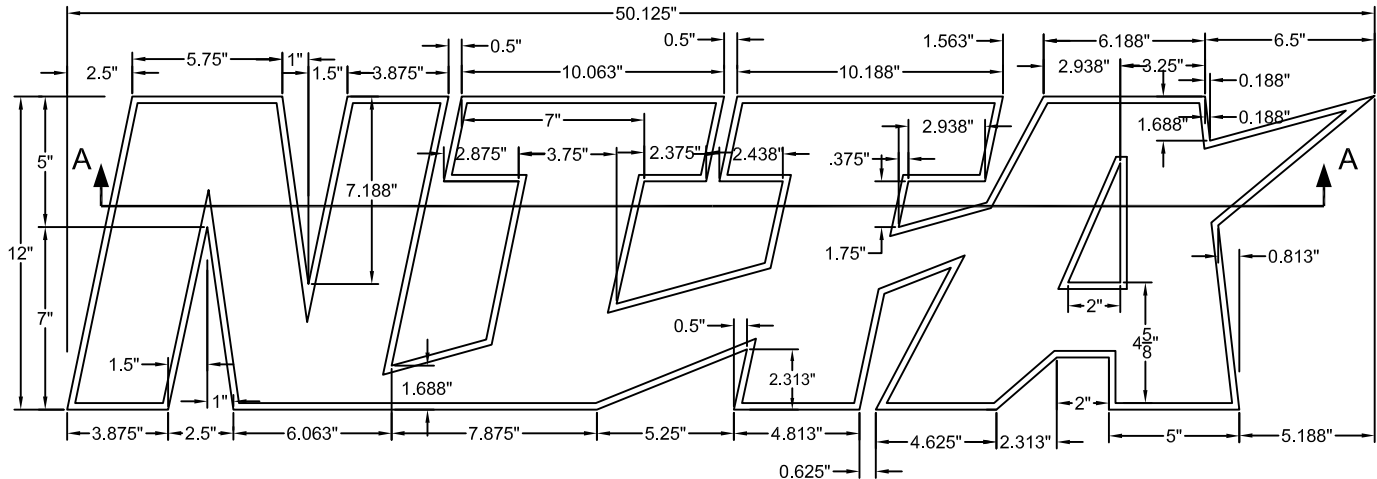
GoldLastic™
Elastomeric Urethane
Non-Bonded

Geometric

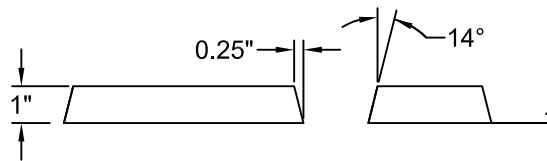
Part Size: 50.125"W x 12"H

Max Depth: 1.0"

Note: Letters only
No backing
Formliner formed without wood backing may vary in size do to temperature.



SECTION A-A



FORMLINER DETAIL

UNLESS OTHERWISE SPECIFIED:
DIMENSIONS ARE IN INCHES

DECIMALS	TOLERANCES
.XX ± .125	ANGULAR ± 0.5°
.XXX ± .0625	MAX SURF

DO NOT SCALE DRAWING

This document contains confidential and proprietary information of Fitzgerald Formliners, Inc. and is protected by copyright, trade secret, and other state and federal laws. Its receipt or possession does not cover any rights to reproduce, disclose its contents, or to manufacture, use, or sell anything it may describe. Reproduction, disclosure, or use without specific written authorization of Fitzgerald Formliners, Inc. is strictly forbidden.

FITZGERALD FORMLINERS
1500 East Chestnut Avenue • Santa Ana, CA 92701 • Fax (714) 245-9715
Ph: (800) 547-7760 • Ph (714) 547-6710 • www.formliners.com

Pattern can be requested in AutoCad format.

File Name: S-15022-GR-7-21-10

Page 1 of 1