



Forming The Future™

PATTERN 16923

Barn Wood

0.25" Deep Heavy Random Grain Planks
With Uneven Grain

Vac-U-Form™

Styrene - Single Use.
ABS Plastic - Up to 15 reuses.

Wooden Plank

Part Size: 120" W x 48" H

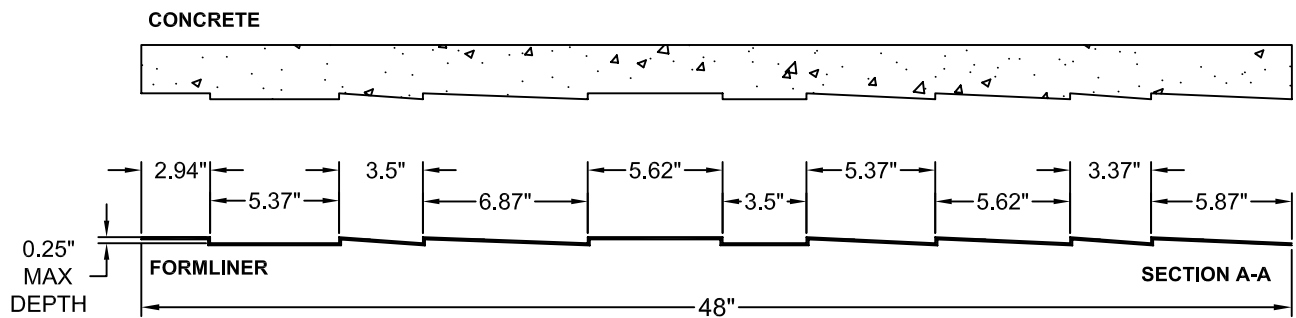
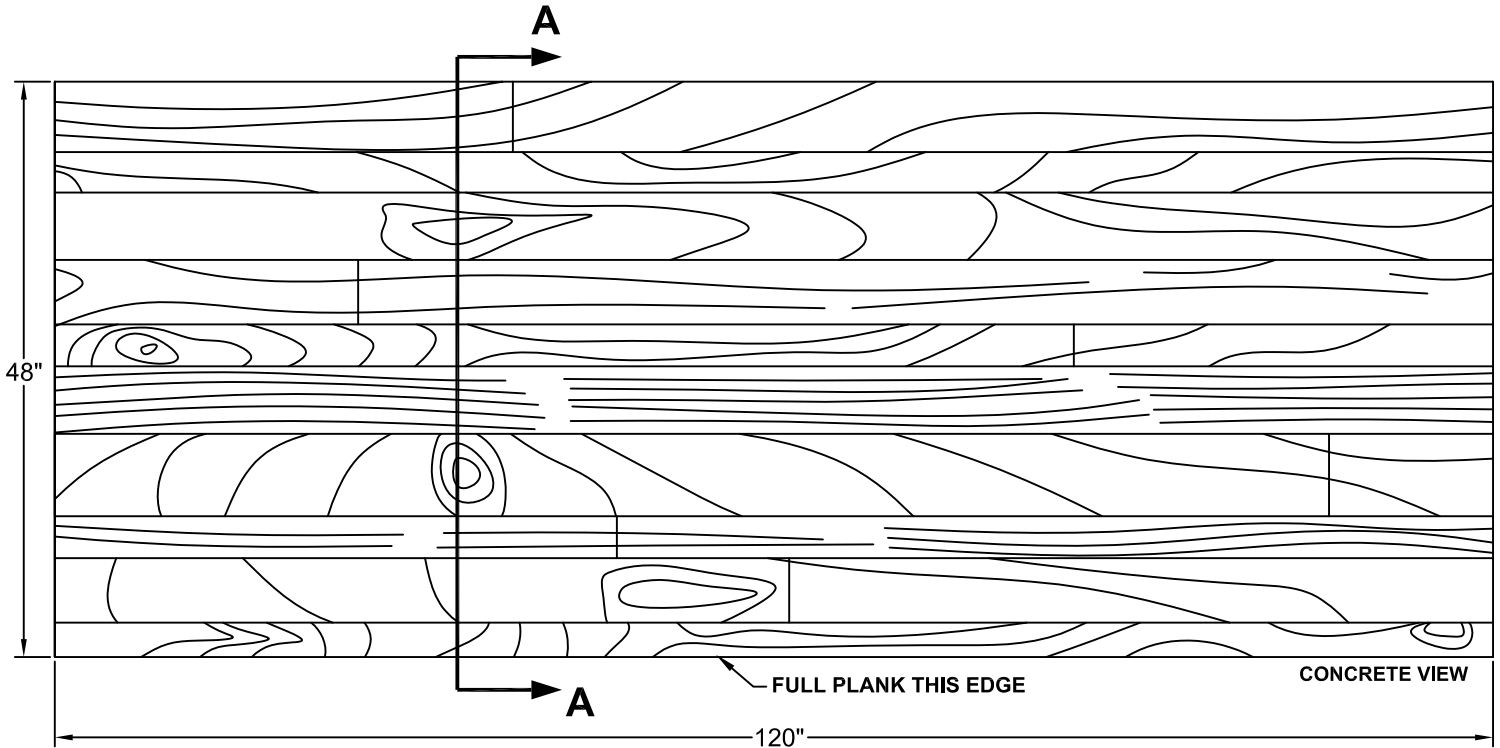
Max Depth: 0.25"

Board Width: 3" - 6.875"

Grain: Heavy

Interior Butt Joints

Additional Backing May Be Required



FORMLINER DETAIL

This document contains confidential and proprietary information of Fitzgerald Formliners, Inc. and is protected by copyright, trade secret, and other state and federal laws. Its receipt or possession does not cover any rights to reproduce, disclose its contents, or to manufacture, use, or sell anything it may describe. Reproduction, disclosure, or use without specific written authorization of Fitzgerald Formliners, Inc. is strictly forbidden.

FITZGERALD FORMLINERS

1500 East Chestnut Avenue • Santa Ana, CA 92701 • Fax (714) 245-9715
Ph: (800) 547-7760 • Ph (714) 547-6710 • www.formliners.com

Pattern can be requested in AutoCad format.

File Name: S-16923-VF-11-3-06

Page 1 of 1