



Forming The Future™

PATTERN 15007A & B

Aloha Wave

Vac-U-Form™

Styrene - Single Use.
ABS Plastic - Up to 15 reuses.

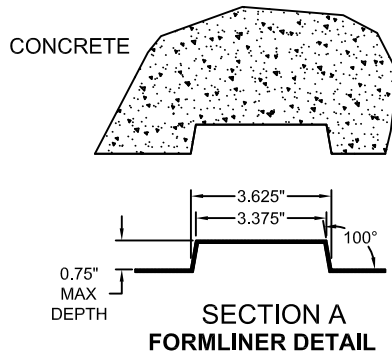
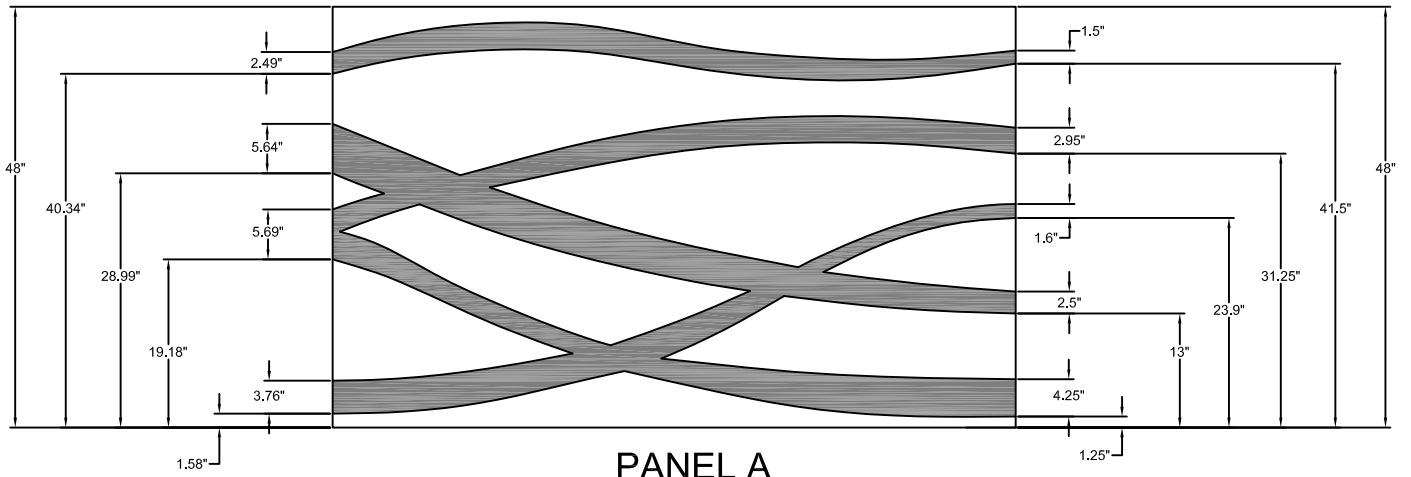
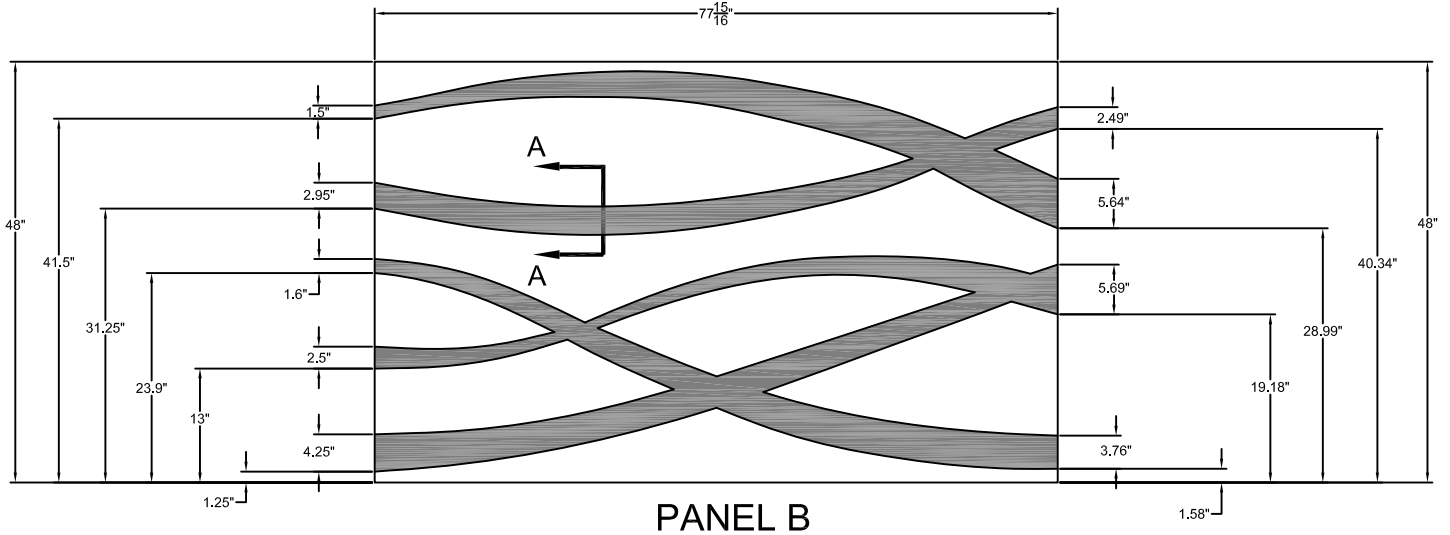
Geometric

Part Size: A) 77 15/16" W x 48" H
B) 77 15/16" W x 48" H

Max Depth: 0.75"

Pattern matched panels

Additional backing may be required



This document contains confidential and proprietary information of Fitzgerald Formliners, Inc. and is protected by copyright, trade secret, and other state and federal laws. Its receipt or possession does not cover any rights to reproduce, disclose its contents, or to manufacture, use, or sell anything it may describe. Reproduction, disclosure, or use without specific written authorization of Fitzgerald Formliners, Inc. is strictly forbidden.

FITZGERALD FORMLINERS
1500 East Chestnut Avenue • Santa Ana, CA 92701 • Fax (714) 245-9715
Ph: (800) 547-7760 • Ph (714) 547-6710 • www.formliners.com

Pattern can be requested in AutoCad format.

File Name: S-15007-VF-8-26-09

Page 1 of 2



Forming The Future™

PATTERN 15007A & B

Aloha Wave

Vac-U-Form™

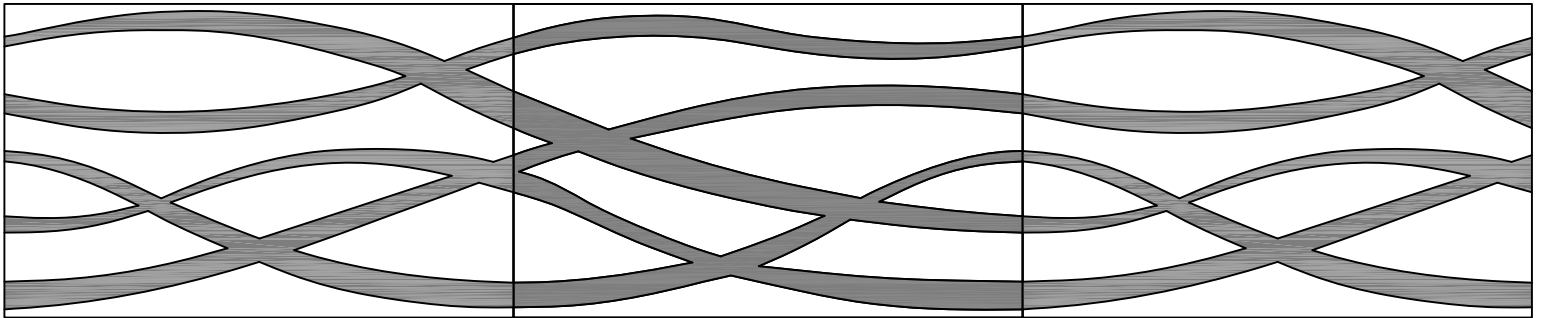
Styrene - Single Use.
ABS Plastic - Up to 15 reuses.

Geometric

Part Size: A) 77 15/16" W x 48" H
B) 77 15/16" W x 48" H

Max Depth: 0.75"

Pattern matched panels
Additional backing may be required



PANEL B

PANEL A

PANEL B

This document contains confidential and proprietary information of Fitzgerald Formliners, Inc. and is protected by copyright, trade secret, and other state and federal laws. Its receipt or possession does not cover any rights to reproduce, disclose its contents, or to manufacture, use, or sell anything it may describe. Reproduction, disclosure, or use without specific written authorization of Fitzgerald Formliners, Inc. is strictly forbidden.

FITZGERALD FORMLINERS

1500 East Chestnut Avenue • Santa Ana, CA 92701 • Fax (714) 245-9715
Ph: (800) 547-7760 • Ph (714) 547-6710 • www.formliners.com

Pattern can be requested in AutoCad format.

File Name: S-15007-VF-8-26-09

Page 2 of 2